



MIE1W0505BGLVH Awarded Annual Power Management/Voltage Converter Product

Leading the Global Electronics Industry

The 2024 World Electronics Achievement Awards ceremony was held in Shenzhen, China on November 5 by AspenCore, a renowned media group in the global electronics technology field. The [MIE1W0505BGLVH](#), MPS's ultra-small, isolated power module, won the "Annual Power Management/Voltage Converter Product" award (see Figure 1).



Figure 1: MIE1W0505BGLVH – An Ultra-Small, Isolated Power Module

The various awards in the World Electronics Achievement Awards ceremony aim to select and recognize companies and managers who have made outstanding contributions to promoting innovation in the global electronics industry. The nominated companies, managers, and products for the awards are all industry leaders.

Advantages of the MIE1W0505BGLVH

The MIE1W0505BGLVH is an isolated, regulated DC/DC power module. By using capacitive isolation technology to achieve feedback blocking, the output voltage (V_{OUT}) can be adjusted without the need for traditional optocouplers and parallel regulators. Compared with traditional isolated power modules, the MIE1W0505BGLVH's module size is smaller and provides higher operational reliability. The MIE1W0505BGLVH also provides continuous short-circuit protection (SCP) and over-temperature protection (OTP). It is available in a small LGA-12 (4mmx5mm) package.

Figure 2 shows the typical application of the [MIE1W0505BGLVH](#).

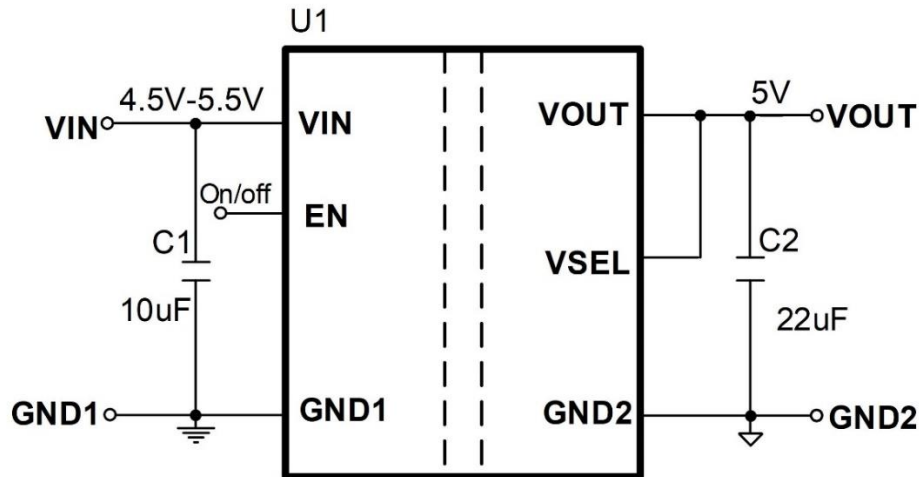


Figure 2: MIE1W0505BGLVH Typical Application Circuit

The features and advantages of the MIE1W0505BGLVH include:

- 3V to 5.5V operating input voltage (V_{IN}) range
- 2.5kV_{RMS} isolation voltage
- Maximum 1W output power (P_{OUT})
- Supports unlimited capacitive load
- 0.4% load adjustment rate
- 0.3% line regulation
- Continuous short-circuit protection (SCP)
- Over-temperature protection (OTP)
- CB certification according to IEC 62368-1
- Compliant with EN55032 Class B emission standards
- -40°C to +125°C operating temperature range
- Available in a small LGA-12 (4mmx5mm) package

To learn more, discover MPS's outstanding selection of [isolated DC/DC converters and modules](#), which offer a superior isolation barrier and high performance.