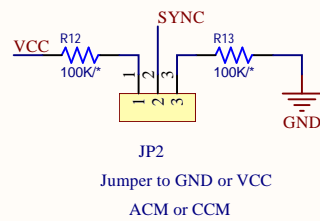
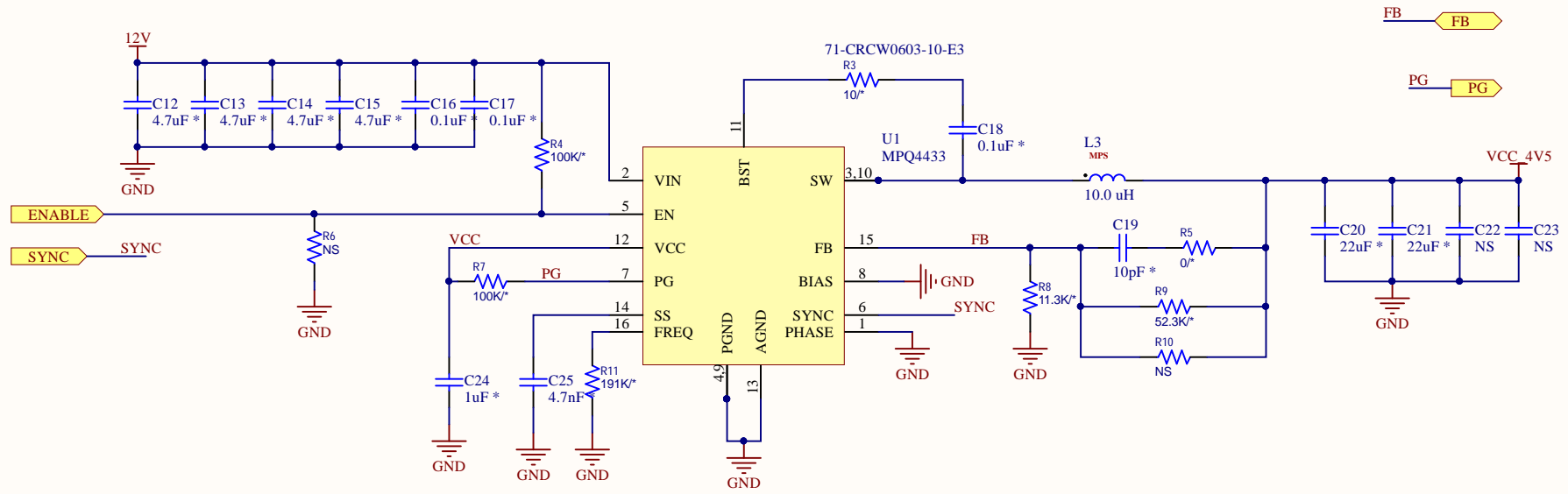
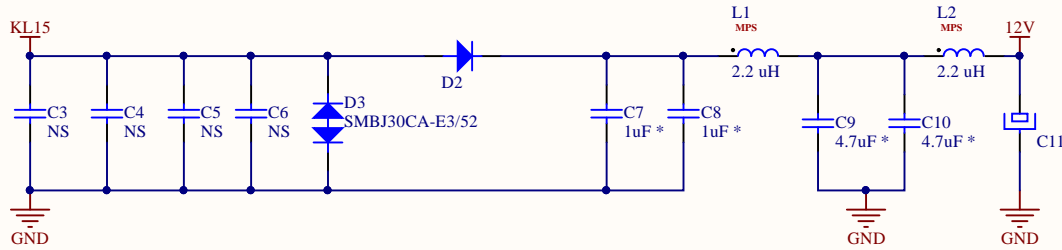
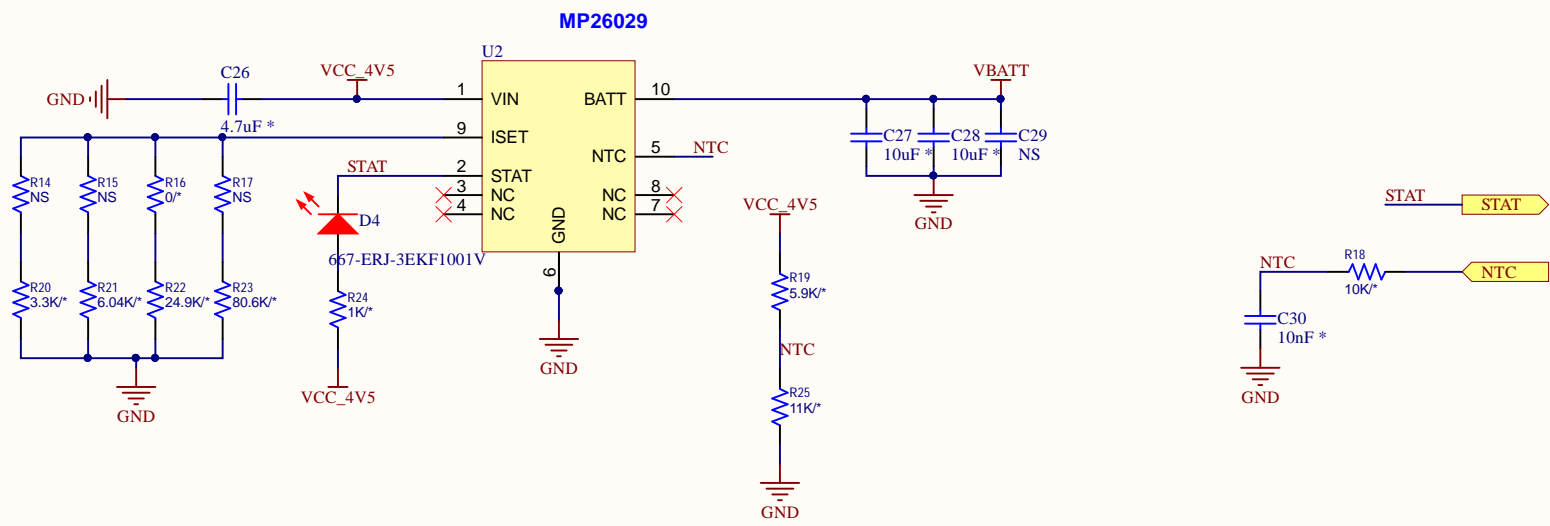


Title: Block Diagram and Sheet Hierarchy	Version: r0.1	
Product Line: Automotive	Date: 06/04/2020	
Sheet 1 of 3	Engineer: *	
For more information on this design contact your local FAE or visit www.monolithicpower.com		

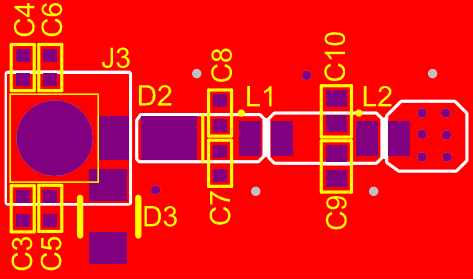


Title: MPQ4433 Schematics	Version: r0.1	
Product Line: Automotive	Date: 31/03/2020	
Sheet 2 of 3	Engineer: *	
For more information on this design contact your local FAE or visit www.monolithicpower.com		



Title: MP26029 Schematics	Version: r0.1	
Product Line: Automotive	Date: 31/03/2020	
Sheet 3 of 3	Engineer: *	
For more information on this design contact your local FAE or visit www.monolithicpower.com		

VIN
20V VMAX



MPS
MonolithicPower.com
Monolithic Power Systems
eTracker Reference Design
www.monolithicpower.com

