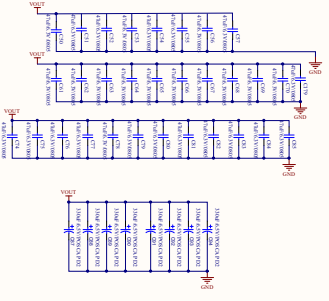
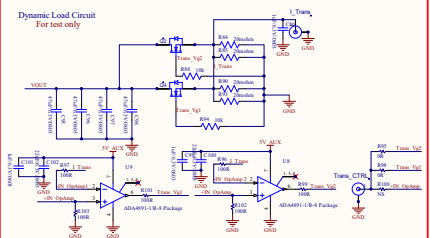
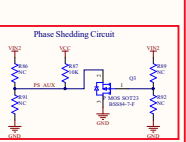
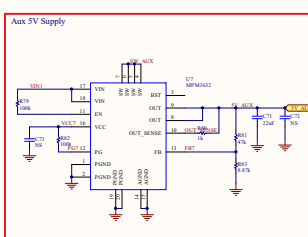
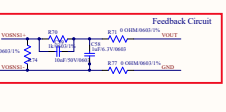
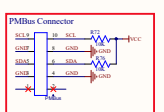
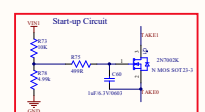
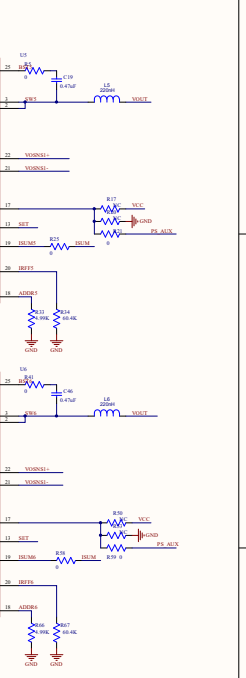
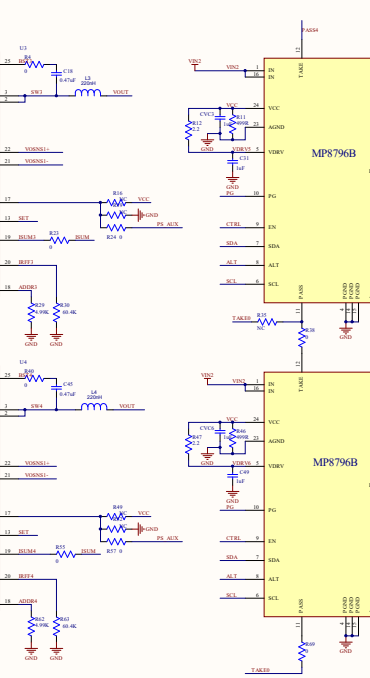
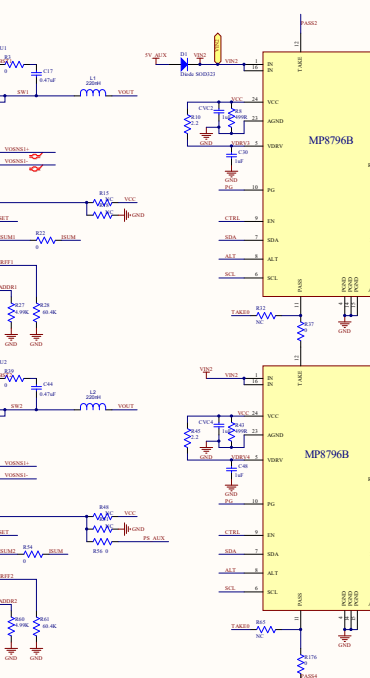
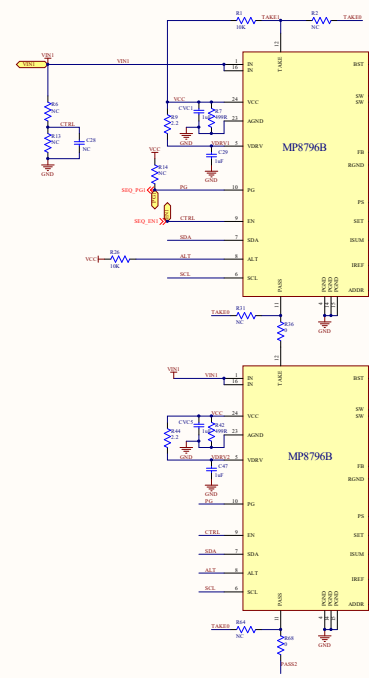
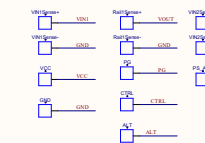
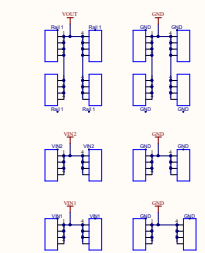
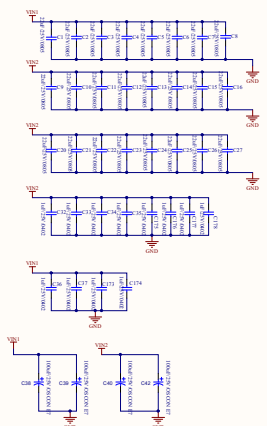
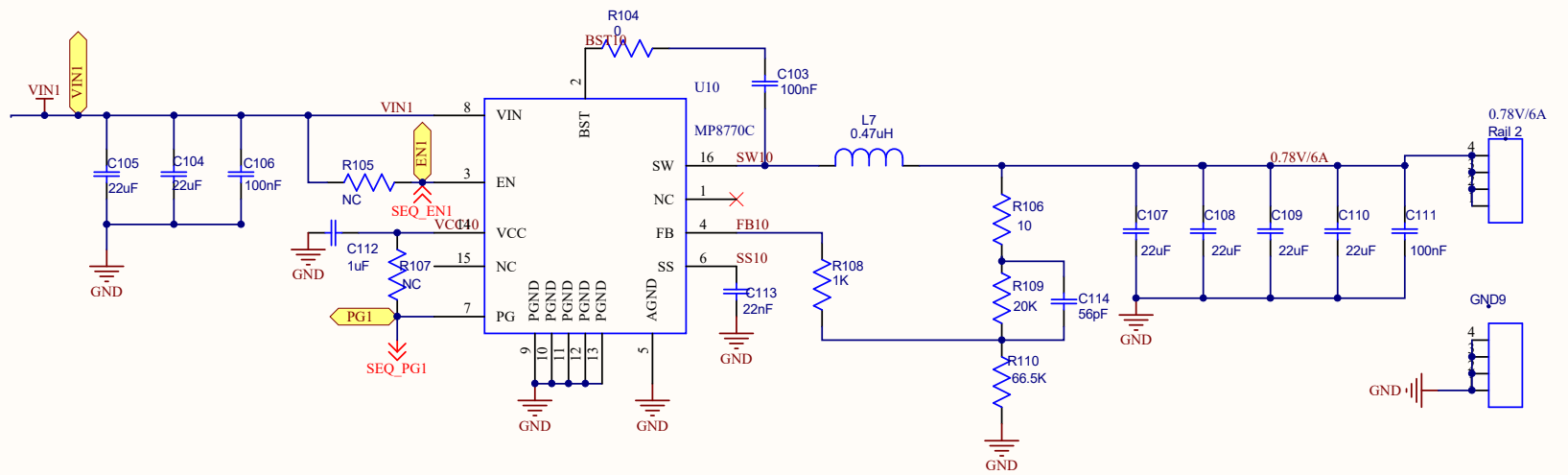


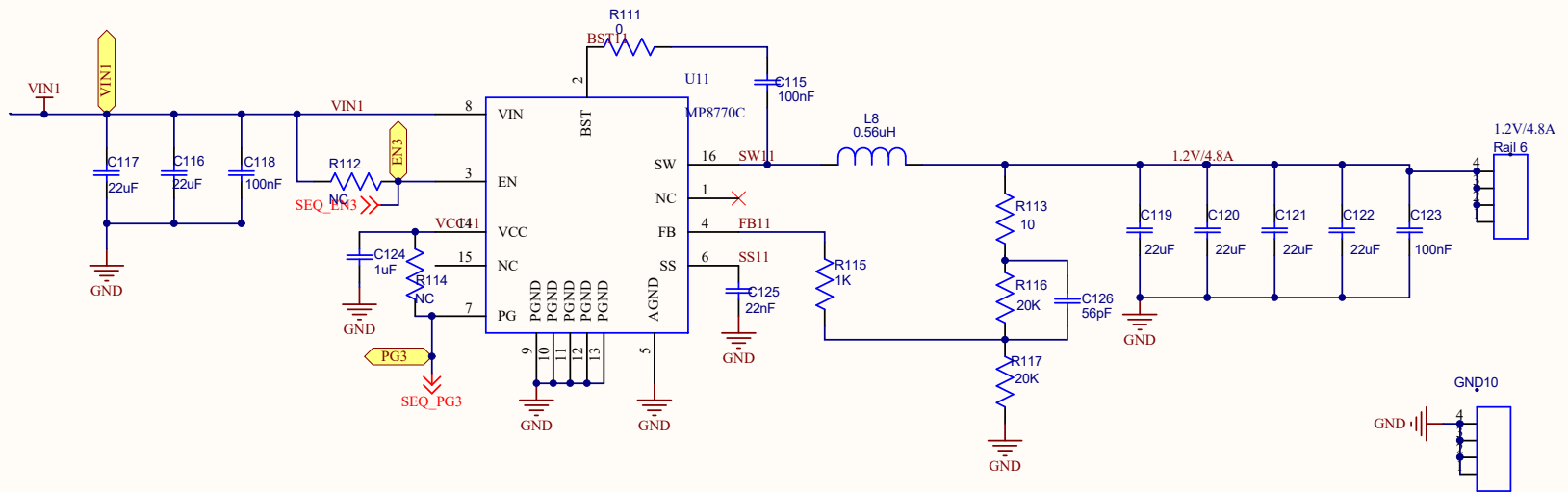
Title			01_Block_Diagram		
Size	Number			Revision	
A4	1			A	
Date:	7/30/2019	Sheet of	9		
File:	\\.\01_Block_Diagram.SchDoc		Drawn By:		



File	MP8796B-Expander-6-7-10-20-170A		
Rev	1	2	3
Date			
Author			
Check			
Draw			
Appr			
Rev			



Title		
MP8770C-0.78V@6A		
Size	Number	Revision
A4	3	A
Date:	7/30/2019	Sheet of
File:	\\.\03 MP8770C- 0.78V@ 6A.SchDoc	9
Drawn By:		



Title			MP8770C_1.2V@4.8A		
Size	Number	4		Revision	A
A4					
Date:	7/30/2019	Sheet	of	9	
File:	\\.\04 MP8770C-1.2V@4.8A.SchDoc		Drawn By:		

1

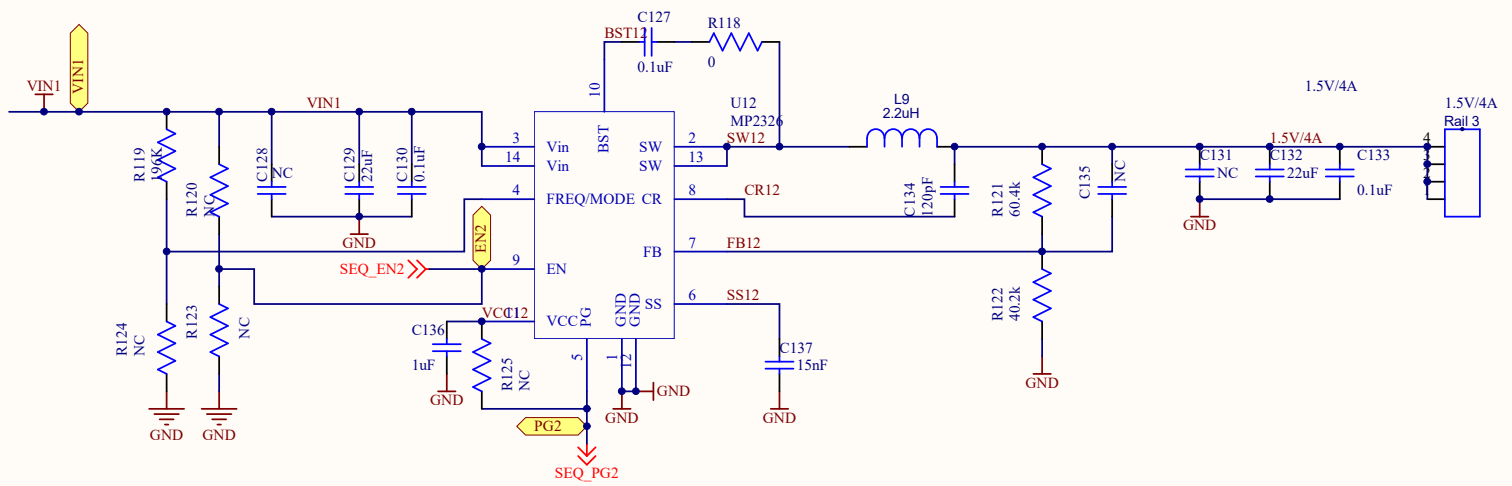
2

3

4

A  
B  
C  
D

A  
B  
C  
D



Title		
MP2326_1.5V@4A		
Size	Number	Revision
A4	5	A
Date:	7/30/2019	Sheet of 9
File:	\\.\05 MP2326-1.5V@4A.SchDoc	Drawn By:

1

2

3

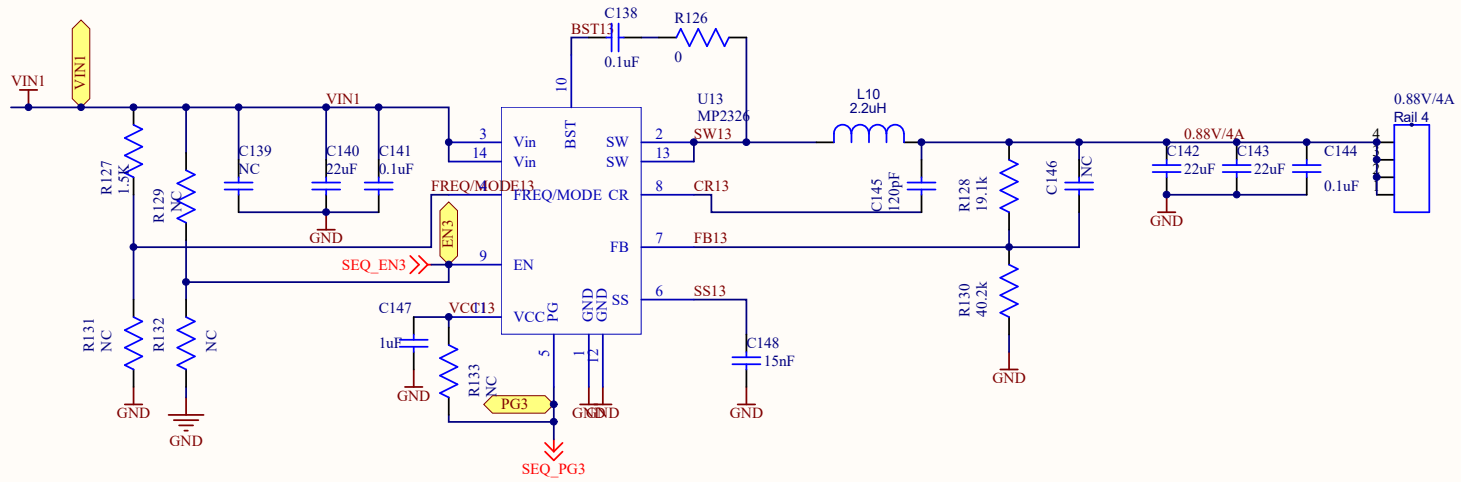
4

1

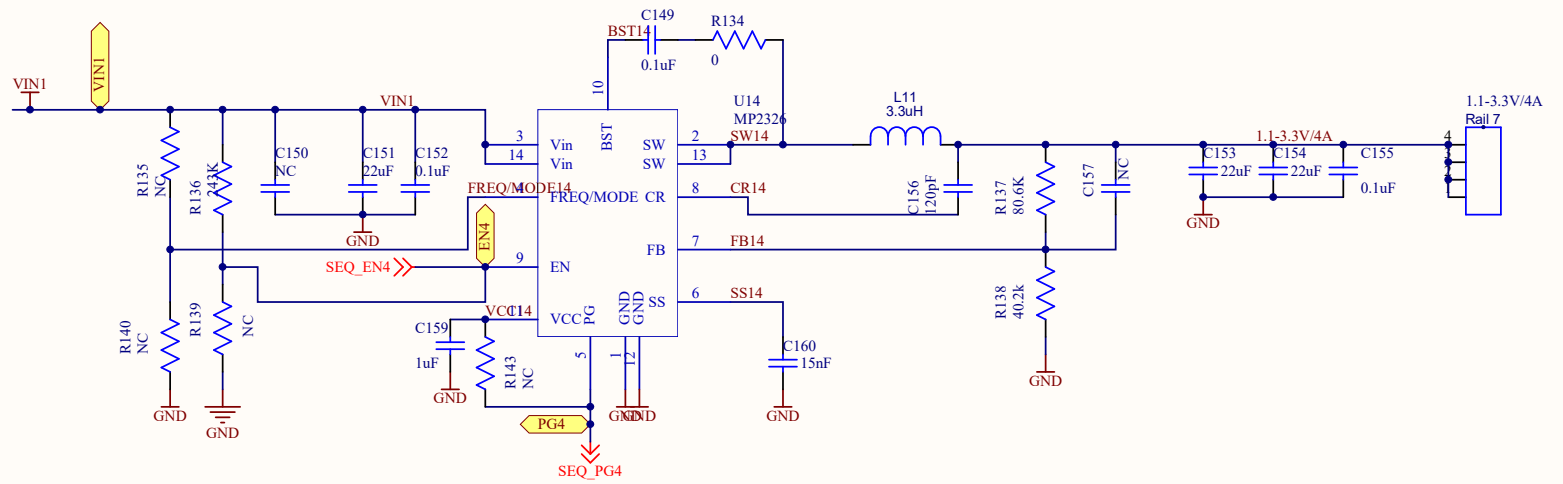
2

3

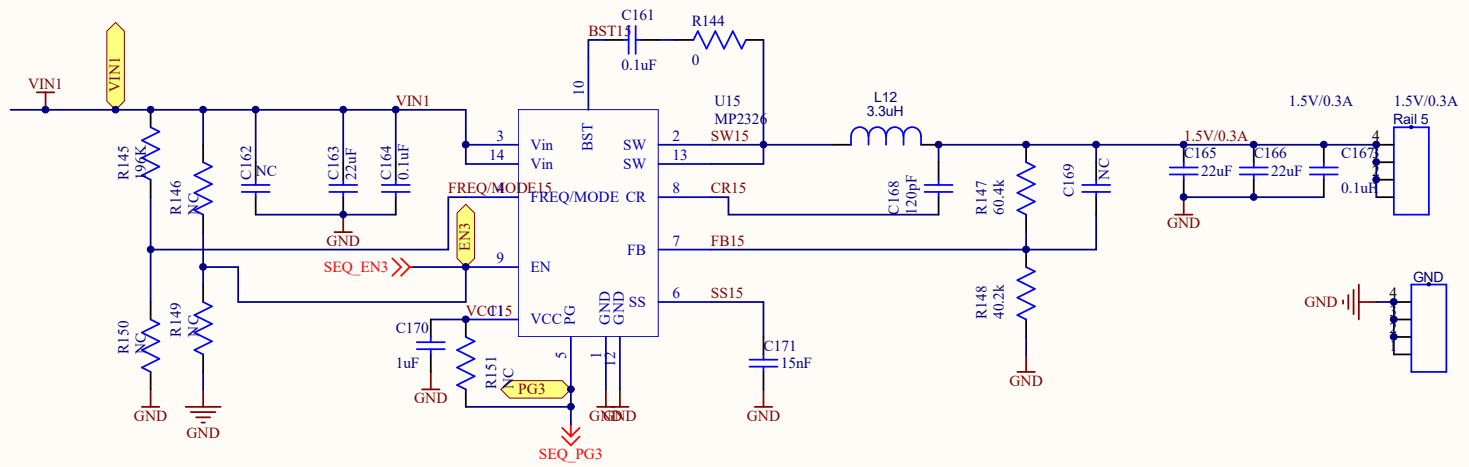
4



Title		
MP2326_0.88V@3A		
Size	Number	Revision
A4	A	6
Date:	7/30/2019	Sheet of 9
File:	\\.\06 Mp2326_0.88V-3A.SchDoc	Drawn By:



Title		
MP2326_1.1-3.3V@4A		
Size	Number	Revision
A4	7	A
Date:	7/30/2019	Sheet of 9
File:	\\.\07 MP2326-1.1'3.3V@4A.SchDoc	Drawn By:



Title		
MP2321_1.5V@3A		
Size	Number	Revision
A4	8	A
Date:	7/30/2019	Sheet of 9
File:	\\.\08 MP2321-1.5V@0.3A.SchDoc	Drawn By:

1

2

3

4

1

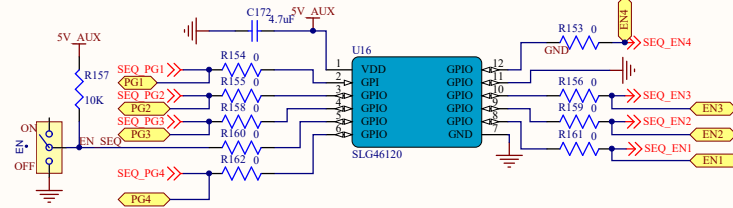
2

3

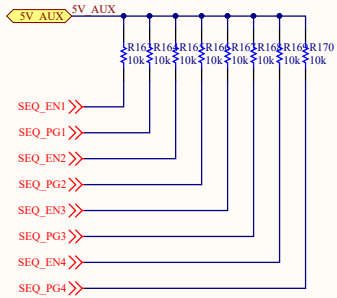
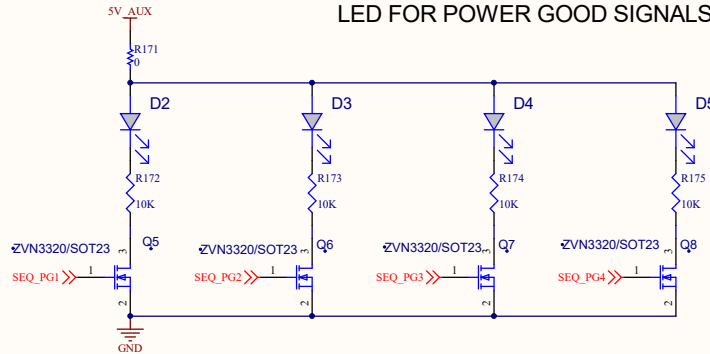
4



### POWER SEQUENCER



### LED FOR POWER GOOD SIGNALS



Title			Sequencer_SLG46537		
Size	Number	Revision			
A3	9	A			
Date:	7/30/2019	Sheet	of 9		
File:	\\_09 Sequencer_SLG46537.SchDoc	Drawn By:			



