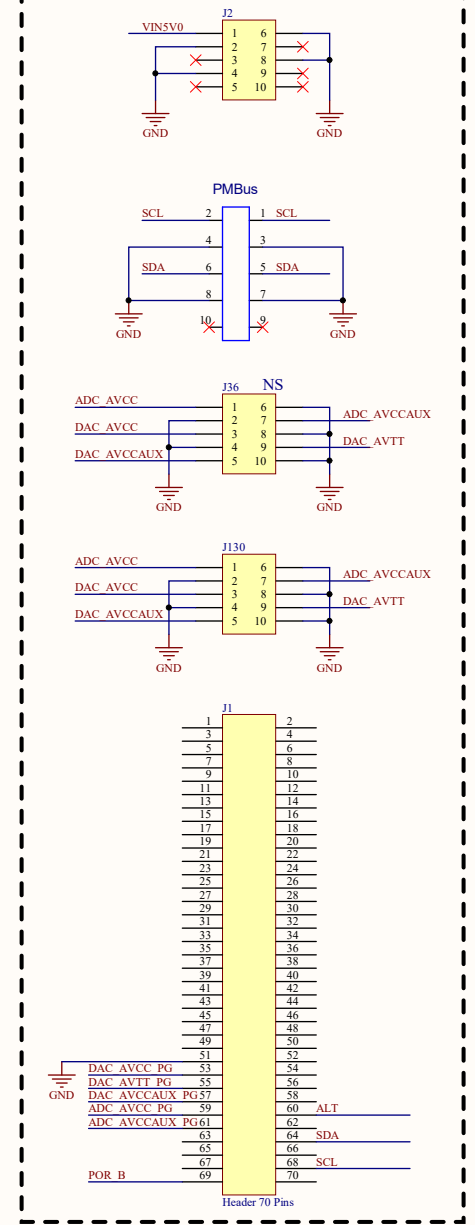
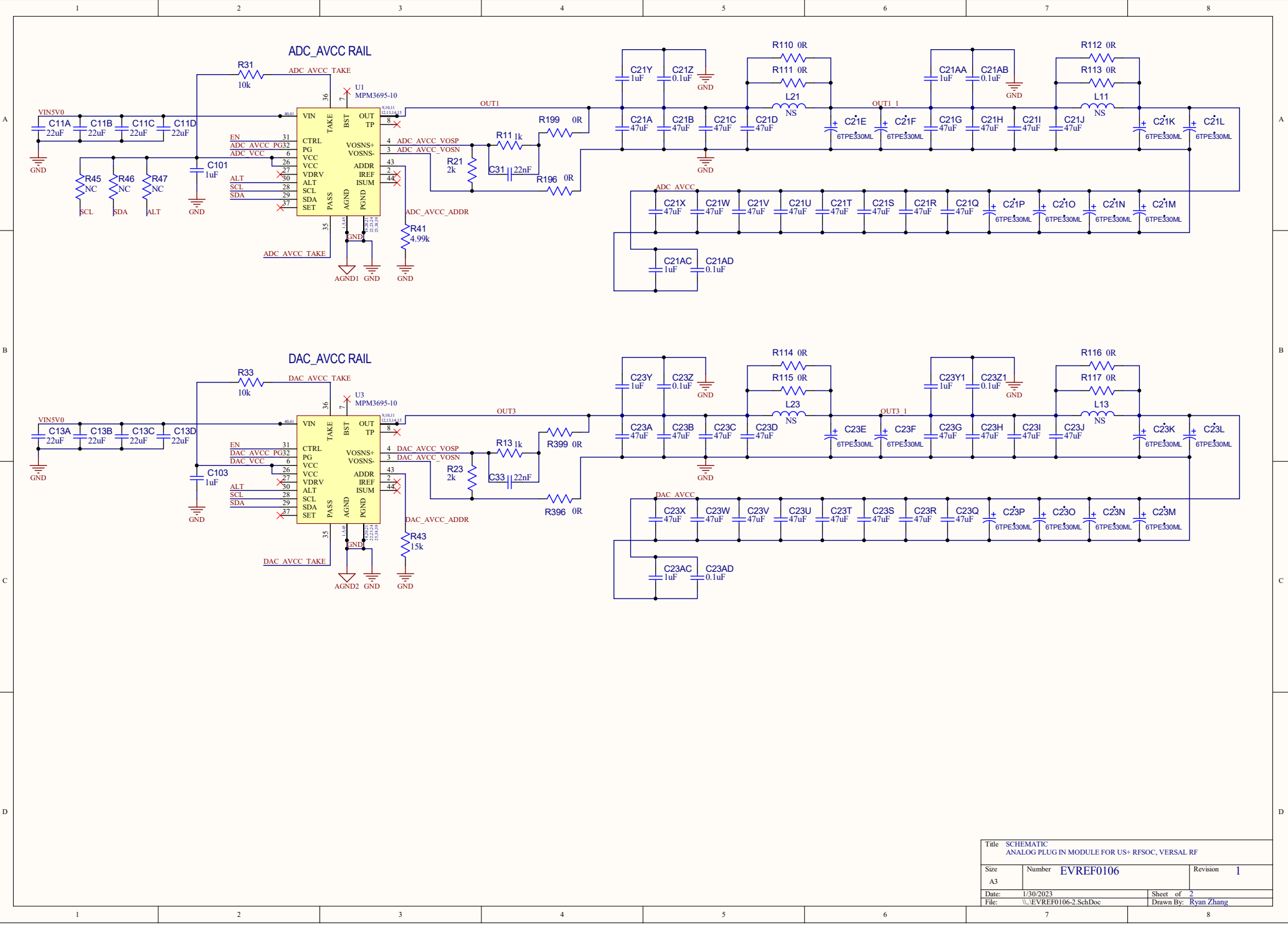


## MODULE CONNECTORS



Title: SCHEMATIC ANALOG PLUG IN MODULE FOR US+ RFSOC, VERSAL RF			
Size: A3	Number: EVREF0106	Revision: 1	
Date: 1/30/2023		Sheet of 1	
File: \..EVREF0106-1_SchDoc		Drawn By: Ryan Zhang	



Title SCHEMATIC ANALOG PLUG IN MODULE FOR US+ RFSOC, VERSAL RF			
Size A3	Number EVREF0106	Revision 1	
Date: 1/30/2023	Sheet of 2		Drawn By: Ryan Zhang
File: \\.\EVREF0106-2.SchDoc			