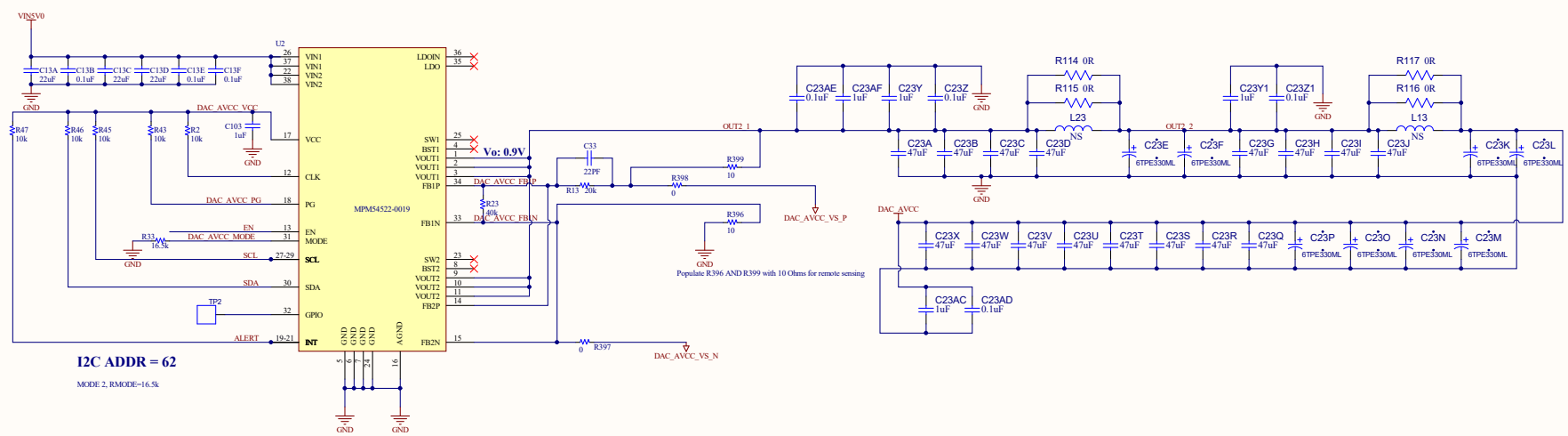
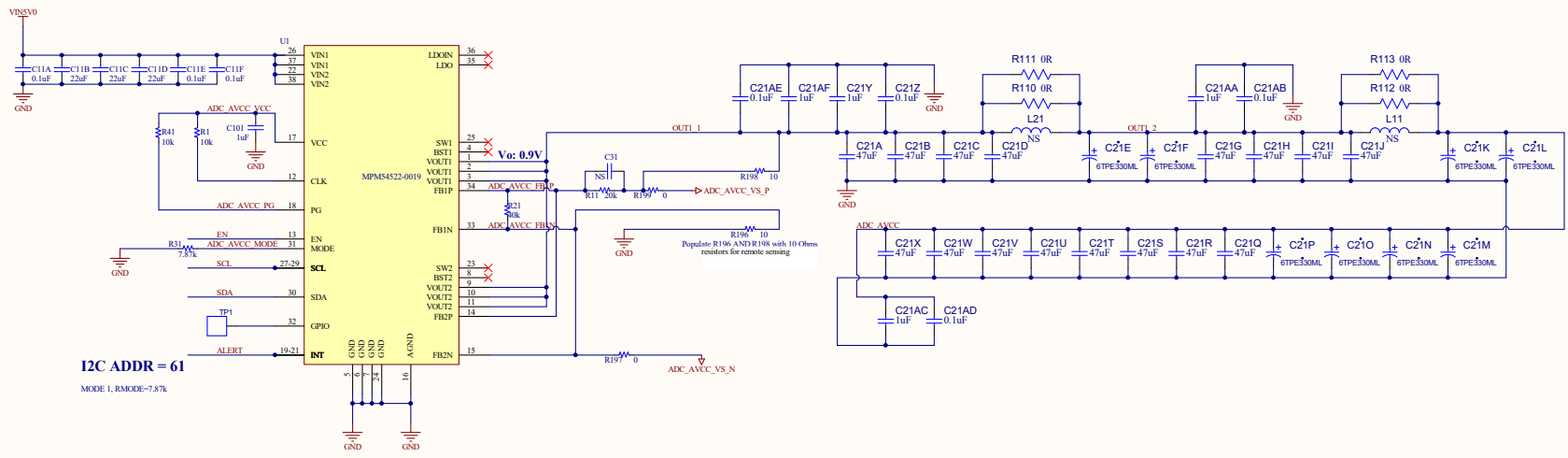
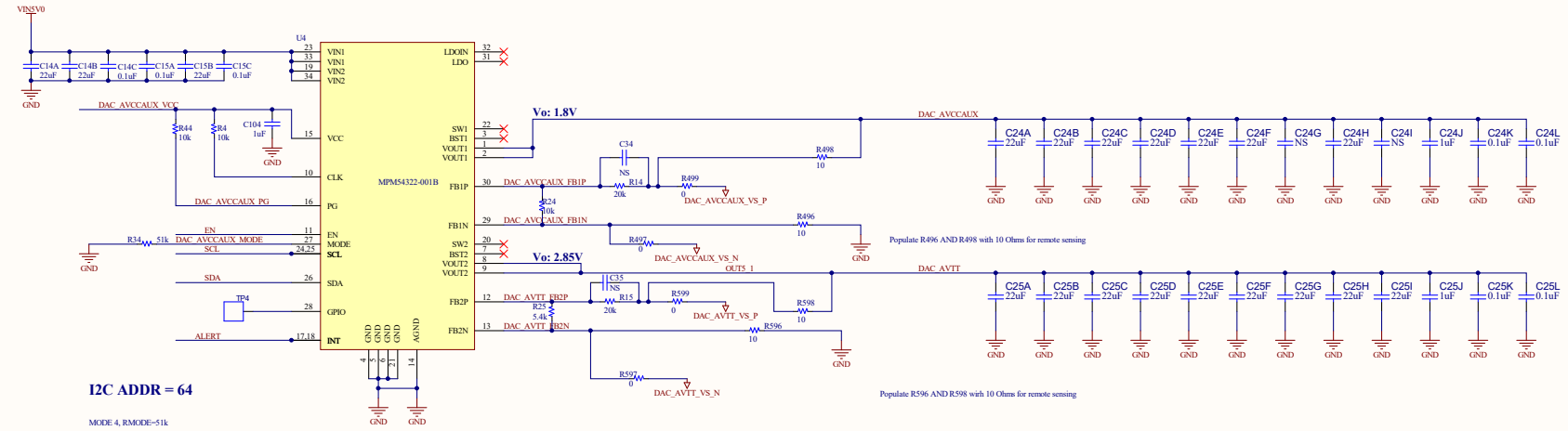
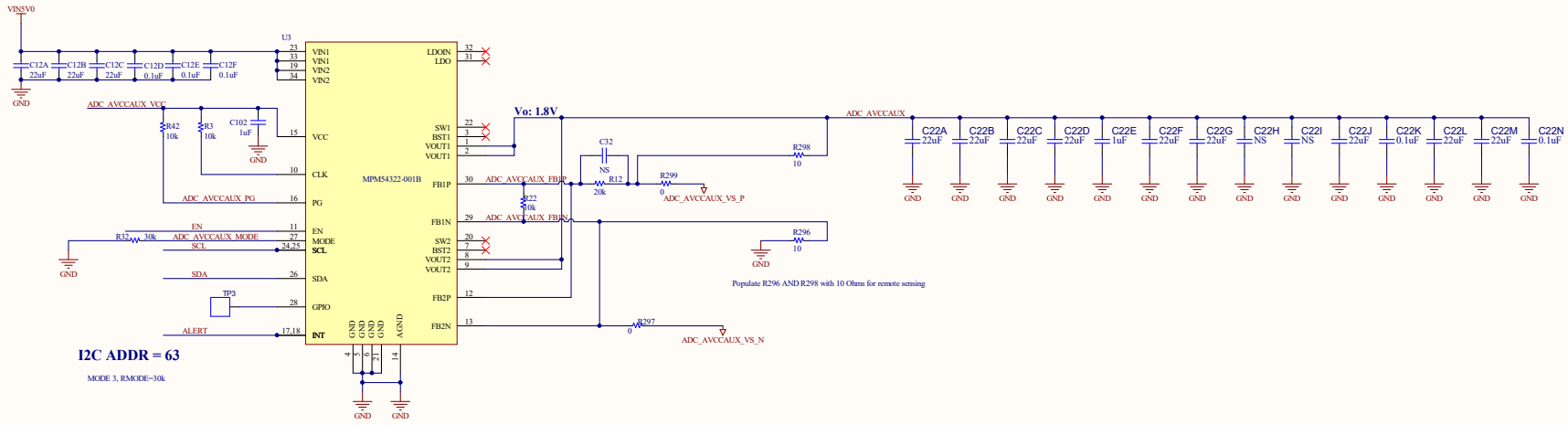


**OPTIONAL JUMPER INT 11 FOR EN**  
**CLOSE THE JUMPER FOR SELF-ENABLE**

Title SCHEMATIC ANALOG PLUG IN MODULE			
Size A	Number	<b>EVREF0107 REV2</b>	Revision <b>4</b>
Date: 8/5/2024	Sheet	of	
File: \\.\CONNECTORS.SchDoc	Drawn By:	SUPRITA KULKARNI	



Title: SCHEMATIC ANALOGPLUG IN MODULE			
Size	Number	Revision	4
C	EVREF0107 REV2		
Date:	8/3/2024	Sheet	of 3
File:	\\EVREF0107 REV2-1.SchDoc	Drawn By:	SUPRIYA KULKARNI



Title			
SCHEMATIC			
ANALOGPLUG IN MODULE			
Size	Number	Revision	
C	EVREF0107 REV2	4	
Date:	8/3/2024	Sheet	of 3
File:	\\EVREF0107\REV2-2-SchDoc	Drawn By:	SUPRIYA KULKARNI



Monolithic Power Systems  
EVREF0107 REV2  
www.monolithicpower.com

