

**1. PURPOSE 目的**

1.1. The document specifies the packaging for surface mount products. These packages conform to EIA-481-1/2/3, JEDEC and IEC60286-3 standards.

本文件规定贴片产品的包装规范。包装符合 EIA-481-1/2/3，JEDEC 和 IEC60286-3 标准。

**2. SCOPE 范围**

2.1. This specification applies to all MPS devices.

本规范适用于所有 MPS 产品。

**3. Table of Tape and Reel, Tube and Tray 编带卷盘，胶管托盘表格**

3.1. For WLCSP/Bare Die.

晶圆芯片和裸芯片

3.1.1 Regular WLCSP/Bare Die.

普通晶圆芯片和裸芯片

Ax B (A ≤ B)					
Package Size	Quantity /Reel	Reel Diameter	Width	Pitch	Trailer Leader/Reel
B ≤ 2.5	3000	7 in	8	4	50/50
2.5 < B ≤ 6.3	5000	13 in	12	8	50/50

3.1.2 Cu Exposure Bare Die.

露铜裸芯片

Ax B (A ≤ B)					
Package Size	Quantity /Reel	Reel Diameter	Width	Pitch	Trailer Leader/Reel
B ≤ 2.5	3000	7 in	8	4	50/50
2.5 < B ≤ 6.3	2000	7 in	12	8	50/50

3.2. For molding package.

封装产品

Part Number 产品号	Package Description 封装	Quantity /Reel 数量/卷盘	Quantity/Tube 数量/胶管	Quantity/Tray 数量/托盘	Reel Diameter 卷盘直径	Carrier Tape Width 载带宽度	Carrier Tape Pitch 载带线距	Trailer Leader/Reel 前后空带数/ 卷盘
MP####xH	MSOP8/10 w/Exposed Pad	N/A	48	N/A	N/A	N/A	N/A	N/A
MP####xH-Z	MSOP8/10 w/Exposed Pad	2500	N/A	N/A	13 in.	12 mm	8 mm	110&110
MP####xK	MSOP8/10	N/A	48	N/A	N/A	N/A	N/A	N/A
MP####xK-Z	MSOP8/10	2500	N/A	N/A	13 in.	12 mm	8 mm	110&110
MP####xS	SOIC8 (Narrow Body)	N/A	100	N/A	N/A	N/A	N/A	N/A
MP####xS-Z	SOIC8 (Narrow Body)	2500	N/A	N/A	13 in.	12 mm	8 mm	110&110
MP####xN	SOIC8 w/Exposed Pad (Narrow Body)	N/A	100	N/A	N/A	N/A	N/A	N/A
MP####xN-Z	SOIC8 w/Exposed Pad (Narrow Body)	2500	N/A	N/A	13 in.	12 mm	8 mm	110&110

**DO NOT COPY WITHOUT WRITTEN PERMISSION FROM MONOLITHIC POWER SYSTEMS**



SPEC NO: MF-PO-S-0001

REV: 42.0

PAGE 2 OF 12

TITLE: PACKAGE SPECIFICATION  
包装规范

Part Number 产品号	Package Description 封装	Quantity /Reel 数量/卷盘	Quantity/Tube 数量/胶管	Quantity/Tray 数量/托盘	Reel Diameter 卷盘直径	Carrier Tape Width 载带宽度	Carrier Tape Pitch 载带线距	Trailer Leader/Reel 前后空带数/ 卷盘
MP####xS	SOIC14 (Narrow Body)	N/A	50	N/A	N/A	N/A	N/A	N/A
MP####xS-Z	SOIC14 (Narrow Body)	2500	N/A	N/A	13 in.	16 mm	8 mm	110&110
MP####xS	SOIC16 (Narrow Body)	N/A	50	N/A	N/A	N/A	N/A	N/A
MP####xS-Z	SOIC16 (Narrow Body)	2500	N/A	N/A	13 in.	16 mm	8 mm	110&110
MP####xN	SOIC16 w/Exposed Pad (Narrow Body)	N/A	48	N/A	N/A	N/A	N/A	N/A
MP####xN-Z	SOIC16 w/Exposed Pad (Narrow Body)	2500	N/A	N/A	13 in.	16 mm	8 mm	110&110
MP####xY	SOIC8-M042 (Wide Body)	N/A	80	N/A	N/A	N/A	N/A	N/A
MP####xY-Z	SOIC8-M042 (Wide Body)	1000	N/A	N/A	13 in.	16 mm	16 mm	110&110
MP####xY	SOIC8 (Wide Body)	N/A	80	N/A	N/A	N/A	N/A	N/A
MP####xY-Z	SOIC8 (Wide Body)	1000	N/A	N/A	13 in.	16 mm	12 mm	110&110
MP####xY	SOIC16-M037 (Wide Body)	N/A	44	N/A	N/A	N/A	N/A	N/A
MP####xY-Z	SOIC16-M037 (Wide Body)	1000	N/A	N/A	13 in.	16 mm	12 mm	110&110
MP####xY	SOIC16 (Wide Body)	N/A	44	N/A	N/A	N/A	N/A	N/A
MP####xY-Z	SOIC16 (Wide Body)	1000	N/A	N/A	13 in.	24 mm	12 mm	110&110
MP####xY	SOIC18 (Wide Body)	N/A	40	N/A	N/A	N/A	N/A	N/A
MP####xY-Z	SOIC18 (Wide Body)	1000	N/A	N/A	13 in.	24 mm	12 mm	110&110
MP####xY	SOIC20 (Wide Body)	N/A	36	N/A	N/A	N/A	N/A	N/A
MP####xY-Z	SOIC20 (Wide Body)	1000	N/A	N/A	13 in.	24 mm	12 mm	110&110
MP####xWR	SOIC24 w/Heat Slug and Reverse Lead Bend (Wide Body)	N/A	31	N/A	N/A	N/A	N/A	N/A
MP####xWR-Z	SOIC24 w/Heat Slug and Reverse Lead Bend (Wide Body)	1000	N/A	N/A	13 in.	24 mm	12 mm	110&110
MP####xY	SOIC28 (Wide Body)	N/A	27	N/A	N/A	N/A	N/A	N/A
MP####xY-Z	SOIC28 (Wide Body)	1000	N/A	N/A	13 in.	24 mm	12 mm	110&110
MP####xY	WSSOIC28 (Wide Body)	N/A	60	N/A	N/A	N/A	N/A	N/A
MP####xY-Z	WSSOIC28 (Wide Body)	1000	N/A	N/A	13 in.	16 mm	12 mm	110&110
MP####xM	TSSOP8	N/A	100	N/A	N/A	N/A	N/A	N/A
MP####xM-Z	TSSOP8	2500	N/A	N/A	13 in.	12 mm	8 mm	110&110
MP####xM	TSSOP14	N/A	94	N/A	N/A	N/A	N/A	N/A
MP####xM-Z	TSSOP14	2500	N/A	N/A	13 in.	16 mm	8 mm	110&110
MP####xF	TSSOP14 w/Exposed Pad	N/A	94	N/A	N/A	N/A	N/A	N/A
MP####xF-Z	TSSOP14 w/Exposed Pad	2500	N/A	N/A	13 in.	16 mm	8 mm	110&110
MP####xM	TSSOP16	N/A	96	N/A	N/A	N/A	N/A	N/A
MP####xM-Z	TSSOP16	2500	N/A	N/A	13 in.	16 mm	8 mm	110&110
MP####xF	TSSOP16 w/Exposed Pad	N/A	96	N/A	N/A	N/A	N/A	N/A
MP####xF-Z	TSSOP16 w/Exposed Pad	2500	N/A	N/A	13 in.	16 mm	8 mm	110&110
MP####xM	TSSOP20	N/A	70	N/A	N/A	N/A	N/A	N/A
MP####xM-Z	TSSOP20	2500	N/A	N/A	13 in.	16 mm	8 mm	110&110
MP####xF	TSSOP20 w/Exposed Pad	N/A	70	N/A	N/A	N/A	N/A	N/A
MP####xF-Z	TSSOP20 w/Exposed Pad	2500	N/A	N/A	13 in.	16 mm	8 mm	110&110
MP####xM	TSSOP28	N/A	50	N/A	N/A	N/A	N/A	N/A
MP####xM-Z	TSSOP28	2500	N/A	N/A	13 in.	16 mm	8 mm	110&110
MP####xF	TSSOP28 w/Exposed Pad	N/A	50	N/A	N/A	N/A	N/A	N/A
MP####xF-Z	TSSOP28 w/Exposed Pad	2500	N/A	N/A	13 in.	16 mm	8 mm	110&110
MP####xFR	TSSOP38 w/Exposed Pad, Reverse Lead Bend	N/A	31	N/A	N/A	N/A	N/A	N/A

DO NOT COPY WITHOUT WRITTEN PERMISSION FROM MONOLITHIC POWER SYSTEMS



SPEC NO: MF-PO-S-0001

REV: 42.0

PAGE 3 OF 12

TITLE: PACKAGE SPECIFICATION  
包装规范

Part Number 产品号	Package Description 封装	Quantity /Reel 数量/卷盘	Quantity/Tube 数量/胶管	Quantity/Tray 数量/托盘	Reel Diameter 卷盘直径	Carrier Tape Width 载带宽度	Carrier Tape Pitch 载带线距	Trailer Leader/Reel 前后空带数/ 卷盘
MP####xFR-Z	TSSOP38 w/Exposed Pad, Reverse Lead Bend	2500	N/A	N/A	13 in.	16 mm	8 mm	110&110
MP####xWR	SSOP56	N/A	26	N/A	N/A	N/A	N/A	N/A
MP####xWR-Z	SSOP56	1000	N/A	N/A	13 in.	32 mm	16 mm	110&110
MP####xP	PDIP8	N/A	50	N/A	N/A	N/A	N/A	N/A
MP####xP	PDIP16	N/A	25	N/A	N/A	N/A	N/A	N/A
MP####xP	PDIP8 w/Exposed Pad	N/A	50	N/A	N/A	N/A	N/A	N/A
MP####xE-Z	SC70	3000	N/A	N/A	7 in.	8 mm	4 mm	125&125
MP####xS-Z	SOD123	2500	N/A	N/A	13 in.	12 mm	8 mm	125&125
MP####xTF-Z	SOT563	5000	N/A	N/A	7 in.	8 mm	4 mm	125&125
MP####xTL-Z	SOT583	5000	N/A	N/A	7 in.	8 mm	4 mm	125&125
MP####xT-Z	SOT23-3/5/6/8	3000	N/A	N/A	7 in.	8 mm	4 mm	125&125
MP####xJ-Z	TSOT23-4/5/6/8	3000	N/A	N/A	7 in.	8 mm	4 mm	125&125
MP####xJS-Z	TSOT23-6-SL	5000	N/A	N/A	13 in.	12 mm	8 mm	125&125
MP####xJL-Z	TSOT23-LL-6	5000	N/A	N/A	13 in.	12 mm	8 mm	125&125
MP####xJR-Z	TSOT23-RL-6	5000	N/A	N/A	13 in.	12 mm	8 mm	125&125
MP####xE-Z	SC70-5	3000	N/A	N/A	7 in.	8 mm	4 mm	125&125
MP####xZ	TO220	N/A	50	N/A	N/A	N/A	N/A	N/A
MP####xZD-Z	TO252-5	2500	N/A	N/A	13 in.	12 mm	8 mm	50/50
MP####xFP-Z	TQFP 7x7-1.12	2500	N/A	N/A	13 in.	16 mm	12 mm	110&110
MP####xFP-T	TQFP 7x7-1.12	N/A	N/A	250	N/A	N/A	N/A	N/A
MP####xFN-Z	TQFP 7x7-1.12 w/Exposed Pad	2500	N/A	N/A	13 in.	16 mm	12 mm	110&110
MP####xFN-T	TQFP 7x7-1.12 w/Exposed Pad	N/A	N/A	250	N/A	N/A	N/A	N/A
MP####xFP-T	LQFP10x10x1.4	N/A	N/A	168	N/A	N/A	N/A	N/A
MP####xBZ-Z	BGA 2.3x5.8x0.9	5000	N/A	N/A	13 in.	12 mm	8 mm	125&125
MP####xBR-Z	BGA 4x4x0.87	5000	N/A	N/A	13 in.	12 mm	8 mm	125&125
MP####xFC-Z	BGA 5.55x9x0.93	5000	N/A	N/A	13 in.	16 mm	8 mm	125&125
MP####xBX-Z	BGA 6.4x6.4x1.2	2500	N/A	N/A	13 in.	16 mm	8 mm	125&125
MP####xBN-T	BGA 7x7x1.1	N/A	N/A	260	N/A	N/A	N/A	N/A
MP####xBJ-Z	BGA 8x9x2.58	1000	N/A	N/A	13 in.	16 mm	12 mm	125&125
MP####xBS-T	BGA 9x15x5.0	N/A	N/A	170	N/A	N/A	N/A	N/A
MP####xBC-T	BGA 9.5x16x4.98	N/A	N/A	112	N/A	N/A	N/A	N/A
MP####xBD-T	BGA 10x10x1.1	N/A	N/A	240	N/A	N/A	N/A	N/A
MP####xBD-T	BGA 10x20x1.45	N/A	N/A	96	N/A	N/A	N/A	N/A
MP####xBH-T	BGA 15x30x5.18	N/A	N/A	48	N/A	N/A	N/A	N/A
MP####xBF-T	BGA 16x16x5.18	N/A	N/A	90	N/A	N/A	N/A	N/A
MPM####xBW-T	BGA 20x20x1.66	N/A	N/A	60	N/A	N/A	N/A	N/A
MPC22158-T	Module 8x8x3.8	N/A	N/A	198	N/A	N/A	N/A	N/A
MPC2216x-Z	Module 9.9x9.05x3.9	500	N/A	N/A	13 in.	24 mm	16 mm	80&80
MPC2216x-T	Module 9.9x9.05x3.9	N/A	N/A	160	N/A	N/A	N/A	N/A
MPC2216x-T	Module 9.9x9.05x4.75	N/A	N/A	160	N/A	N/A	N/A	N/A
MPC2216x-Z	Module 10x9x7.65	300	N/A	N/A	13 in.	24 mm	16 mm	80&80
MPC2216x-T	Module 10x9x7.65	N/A	N/A	160	N/A	N/A	N/A	N/A
MPC2216x-Z	Module 9.9x9x9.65	150	N/A	N/A	13 in.	24 mm	20 mm	50/50
MPC2216x-T	Module 9.9x9x9.65	N/A	N/A	160	N/A	N/A	N/A	N/A
MPC1100-Z	Module 27x18x6.1	300	N/A	N/A	13 in.	44 mm	24 mm	25&25

DO NOT COPY WITHOUT WRITTEN PERMISSION FROM MONOLITHIC POWER SYSTEMS



SPEC NO: MF-PO-S-0001

REV: 42.0

PAGE 4 OF 12

TITLE: PACKAGE SPECIFICATION  
包装规范

Part Number 产品号	Package Description 封装	Quantity /Reel 数量/卷盘	Quantity/Tube 数量/胶管	Quantity/Tray 数量/托盘	Reel Diameter 卷盘直径	Carrier Tape Width 载带宽度	Carrier Tape Pitch 载带线距	Trailer Leader/Reel 前后空带数/ 卷盘
MPC1100-T	Module 27x18x6.1	N/A	N/A	39	N/A	N/A	N/A	N/A
MPC12106-T	Module 24x18x9.1	N/A	N/A	48	N/A	N/A	N/A	N/A
MPC12109-T	Module 22.85x17.35x7.8	N/A	N/A	44	N/A	N/A	N/A	N/A
MPC2E38x-T	Module 25x25x4.23	N/A	N/A	40	N/A	N/A	N/A	N/A
MPC42013-T	Module 36.8x58.4x16.9	N/A	N/A	14	N/A	N/A	N/A	N/A
MPC10206-T	Module 41.8x18x6.8	N/A	N/A	30	N/A	N/A	N/A	N/A
MPC11057-T	Module 53x18x6.95	N/A	N/A	24	N/A	N/A	N/A	N/A
MP####QD-Z	QFN 1.0x1.5x0.9	5000	N/A	N/A	13 in.	8 mm	4 mm	125&125
MP####QFU-Z	QFN 1.2x1.6x0.55	5000	N/A	N/A	13 in.	8 mm	4 mm	125&125
MP####QGU-Z	QFN 1.4x1.8x0.55	5000	N/A	N/A	13 in.	8 mm	4 mm	125&125
MP####QGG-Z	QFN 1.4x1.8x0.9	5000	N/A	N/A	13 in.	8 mm	4 mm	125&125
MP####QHU-Z	QFN 1.5x2.0x0.55	5000	N/A	N/A	13 in.	8 mm	4 mm	125&125
MP####QH-Z	QFN 1.5x2.0x0.9	5000	N/A	N/A	13 in.	8 mm	4 mm	125&125
MP####QEU-Z	QFN 1.5x2.5x0.55	5000	N/A	N/A	13 in.	12 mm	8 mm	125&125
MP####xRA-Z	QFN 1.5x2.5x0.9	5000	N/A	N/A	13 in.	12 mm	8 mm	125&125
MP####xQFU-Z	QFN 1.6x1.2x0.55	5000	N/A	N/A	13 in.	8 mm	4 mm	125&125
MP####xQF-Z	QFN 1.6x1.2x0.9	5000	N/A	N/A	13 in.	8 mm	4 mm	125&125
MP####xGU-Z	QFN 2x2x0.55	5000	N/A	N/A	13 in.	12 mm	8 mm	125&125
MP####xGT-Z	QFN 2x2x0.75	5000	N/A	N/A	13 in.	12 mm	8 mm	125&125
MP####xG-Z	QFN 2x2x0.9	5000	N/A	N/A	13 in.	12 mm	8 mm	125&125
MP####xG-Z	QFN 2x2x0.9-C12M	5000	N/A	N/A	13 in.	8 mm	4 mm	125&125
MP####xRPU-Z	QFN 2x2.5x0.55	5000	N/A	N/A	13 in.	12 mm	8 mm	125&125
MP####xRP-Z	QFN 2x2.5x0.9	5000	N/A	N/A	13 in.	12 mm	8 mm	125&125
MP####xDU-Z	QFN 2x3x0.55	5000	N/A	N/A	13 in.	12 mm	8 mm	125&125
MP####xDT-Z	QFN 2x3x0.75	5000	N/A	N/A	13 in.	12 mm	8 mm	125&125
MP####xD-Z	QFN 2x3x0.9	5000	N/A	N/A	13 in.	12 mm	8 mm	125&125
MP####xQA-Z	QFN 2.2x2.6x0.9	5000	N/A	N/A	13 in.	12 mm	8 mm	125&125
MP####xQBU-Z	QFN 2.5x3.0x0.55	5000	N/A	N/A	13 in.	12 mm	8 mm	125&125
MP####xRG-Z	QFN 2.5x3.2x0.9	5000	N/A	N/A	13 in.	12 mm	8 mm	125&125
MP####xRH-Z	QFN 2.5x3.5x0.9	5000	N/A	N/A	13 in.	12 mm	8 mm	125&125
MP####xQU-Z	QFN 3x3x0.55	5000	N/A	N/A	13 in.	12 mm	8 mm	125&125
MP####xDT-Z	QFN 3x2x0.75-C16N	5000	N/A	N/A	13 in.	12 mm	4 mm	125&125
MP####xD-Z	QFN 3x2x0.9	5000	N/A	N/A	13 in.	12 mm	8 mm	125&125
MP####xQT-Z	QFN 3x3x0.75	5000	N/A	N/A	13 in.	12 mm	8 mm	125&125
MP####xQ-Z	QFN 3x3x0.9	5000	N/A	N/A	13 in.	12 mm	8 mm	125&125
MP####xRWT-Z	QFN 3x3.5x0.75	5000	N/A	N/A	13 in.	12 mm	8 mm	125&125
MP####xLT-Z	QFN 3x4x0.75	5000	N/A	N/A	13 in.	12 mm	8 mm	125&125
MP####xL-Z	QFN 3x4x0.9	5000	N/A	N/A	13 in.	12 mm	8 mm	125&125
MP####xQVT-Z	QFN 3x5x0.75	5000	N/A	N/A	13 in.	12 mm	8 mm	125&125
MP####xQV-Z	QFN 3x5x0.9	5000	N/A	N/A	13 in.	12 mm	8 mm	125&125
MP####xRJT-Z	QFN 3x6x0.75	5000	N/A	N/A	13 in.	12 mm	8 mm	125&125
MP####xRJ-Z	QFN 3x6x0.9	5000	N/A	N/A	13 in.	12 mm	8 mm	125&125
MP####xQC-Z	QFN 3.5x3.5x0.9	5000	N/A	N/A	13 in.	12 mm	8 mm	125&125
MP####xRNT-Z	QFN 3.5x4x0.75	5000	N/A	N/A	13 in.	12 mm	8 mm	125&125
MP####xRN-Z	QFN 3.5x4x0.9	5000	N/A	N/A	13 in.	12 mm	8 mm	125&125

DO NOT COPY WITHOUT WRITTEN PERMISSION FROM MONOLITHIC POWER SYSTEMS



SPEC NO: MF-PO-S-0001

REV: 42.0

PAGE 5 OF 12

TITLE: PACKAGE SPECIFICATION  
包装规范

Part Number 产品号	Package Description 封装	Quantity /Reel 数量/卷盘	Quantity/Tube 数量/胶管	Quantity/Tray 数量/托盘	Reel Diameter 卷盘直径	Carrier Tape Width 载带宽度	Carrier Tape Pitch 载带线距	Trailer Leader/Reel 前后空带数/ 卷盘
MP####xRM-Z	QFN 3.5x4.5x0.9	5000	N/A	N/A	13 in.	12 mm	8 mm	125&125
MP####xRNx-Z	QFN 3.5x6x0.9	5000	N/A	N/A	13 in.	12 mm	8 mm	125&125
MP####xRT-Z	QFN 4x4x0.75	5000	N/A	N/A	13 in.	12 mm	8 mm	125&125
MP####xR-Z	QFN 4x4x0.9	5000	N/A	N/A	13 in.	12 mm	8 mm	125&125
MP####xVU-Z	QFN 4x5x0.55	5000	N/A	N/A	13 in.	12 mm	8 mm	125&125
MP####xVT-Z	QFN 4x5x0.75	5000	N/A	N/A	13 in.	12 mm	8 mm	125&125
MP####xV-Z	QFN 4x5x0.9	5000	N/A	N/A	13 in.	12 mm	8 mm	125&125
MP####xQW-Z	QFN 4x6x0.9	5000	N/A	N/A	13 in.	12 mm	8 mm	125&125
MP####xVT-Z	QFN 5x4x0.75	5000	N/A	N/A	13 in.	12 mm	8 mm	125&125
MP####xV-Z	QFN 5x4x0.9	5000	N/A	N/A	13 in.	12 mm	8 mm	125&125
MP####xQZ-Z	QFN 5x4.5x0.9	5000	N/A	N/A	13 in.	12 mm	8 mm	125&125
MP####xUT-Z	QFN 5x5x0.75	5000	N/A	N/A	13 in.	12 mm	8 mm	125&125
MP####xU-Z	QFN 5x5x0.9	5000	N/A	N/A	13 in.	12 mm	8 mm	125&125
MP####xQJT-Z	QFN 5x6x0.75	5000	N/A	N/A	13 in.	12 mm	8 mm	125&125
MP####xQJ-Z	QFN 5x6x0.9	5000	N/A	N/A	13 in.	12 mm	8 mm	125&125
MP####xQX-Z	QFN 5x8x0.9	5000	N/A	N/A	13 in.	16 mm	8 mm	125&125
MP####xQKT-Z	QFN 6x6x0.75	5000	N/A	N/A	13 in.	12 mm	8 mm	125&125
MP####xQK-Z	QFN 6x6x0.9	5000	N/A	N/A	13 in.	12 mm	8 mm	125&125
MP####xQMT-Z	QFN 6x7x0.75	5000	N/A	N/A	13 in.	16 mm	8 mm	125&125
MP####xQM-Z	QFN 6x7x0.9	5000	N/A	N/A	13 in.	16 mm	8 mm	125&125
MP####xQY-Z	QFN 6x8x0.9	5000	N/A	N/A	13 in.	16 mm	8 mm	125&125
MP####xQR-Z	QFN 6x9x0.9	5000	N/A	N/A	13 in.	16 mm	8 mm	125&125
MP####xQR-T	QFN 6x9x0.9	N/A	N/A	240	N/A	N/A	N/A	N/A
MP####xQNT-Z	QFN 7x7x0.75	2500	N/A	N/A	13 in.	16 mm	12 mm	125&125
MP####xQN-Z	QFN 7x7x0.9	2500	N/A	N/A	13 in.	16 mm	12 mm	125&125
MP####xQQT-Z	QFN 8x8x0.75	2500	N/A	N/A	13 in.	16 mm	12 mm	125&125
MP####xQQT-T	QFN 8x8x0.75	N/A	N/A	348	N/A	N/A	N/A	N/A
MP####xQQ-Z	QFN 8x8x0.9	2500	N/A	N/A	13 in.	16 mm	12 mm	125&125
MP####xQQ-T	QFN 8x8x0.9	N/A	N/A	348	N/A	N/A	N/A	N/A
MP####xRK-Z	QFN 9x9x0.9	2500	N/A	N/A	13 in.	16 mm	12 mm	125&125
MP####xRK-T	QFN 9x9x0.9	N/A	N/A	260	N/A	N/A	N/A	N/A
MP####xRD-T	QFN 10x10x0.9	N/A	N/A	240	N/A	N/A	N/A	N/A
MP####xZK-Z	PDFN 5X6X0.95	5000	N/A	N/A	13 in.	16 mm	8 mm	125&125
MPM####xG-Z	MPM QFN2x2x0.9	5000	N/A	N/A	13 in.	12 mm	8 mm	125&125
MPM####xG-Z	MPM QFN2x2x1.6	2500	N/A	N/A	13 in.	12 mm	8 mm	125&125
MPM####xQA-Z	MPM QFN2.2x2.6x1.6	2500	N/A	N/A	13 in.	12 mm	8 mm	125&125
MPM####xQB-Z	MPM QFN2.5x3.0x0.9	5000	N/A	N/A	13 in.	12 mm	8 mm	125&125
MPM####xRH-Z	MPM QFN2.5x3.5x1.6	2500	N/A	N/A	13 in.	12 mm	8 mm	125&125
MPM####xLE-Z	MPM QFN3x4x1.6	2500	N/A	N/A	13 in.	12 mm	8 mm	125&125
MPM####xQV-Z	MPM QFN3x5x1.6	2500	N/A	N/A	13 in.	12 mm	8 mm	125&125
MPM####xR-Z	MPM QFN4x4x1.6	2500	N/A	N/A	13 in.	12 mm	8 mm	125&125
MPM####xQW-Z	MPM QFN4x6x1.6	2500	N/A	N/A	13 in.	12 mm	8 mm	125&125
MPM####xQY-T	MPM QFN6x8x1.6	N/A	N/A	128	N/A	N/A	N/A	N/A
MPM####xQN-T	MPM QFN7x7x4.0	N/A	N/A	416	N/A	N/A	N/A	N/A
MPM####xQQ-T	MPM QFN8x8x1.6	N/A	N/A	348	N/A	N/A	N/A	N/A

DO NOT COPY WITHOUT WRITTEN PERMISSION FROM MONOLITHIC POWER SYSTEMS



SPEC NO: MF-PO-S-0001

REV: 42.0

PAGE 6 OF 12

TITLE: PACKAGE SPECIFICATION  
包装规范

Part Number 产品号	Package Description 封装	Quantity /Reel 数量/卷盘	Quantity/Tube 数量/胶管	Quantity/Tray 数量/托盘	Reel Diameter 卷盘直径	Carrier Tape Width 载带宽度	Carrier Tape Pitch 载带线距	Trailer Leader/Reel 前后空带数/ 卷盘
MPM####xRF-T	MPM QFN10x12x4.0	N/A	N/A	210	N/A	N/A	N/A	N/A
MPM####xRB-T	MPM QFN12x12x3.82	N/A	N/A	168	N/A	N/A	N/A	N/A
MPM####xRB-T	MPM QFN12x12x4.0	N/A	N/A	168	N/A	N/A	N/A	N/A
MPM####xRU-T	MPM QFN12x15x4.0	N/A	N/A	136	N/A	N/A	N/A	N/A
MPM####xMK-T	MPM LGA6x6x2.0	N/A	N/A	490	N/A	N/A	N/A	N/A
MPM####xMN-T	MPM LGA7x7x2.0	N/A	N/A	260	N/A	N/A	N/A	N/A
MPM####xMN-T	MPM LGA7x7x4.4	N/A	N/A	260	N/A	N/A	N/A	N/A
MPM####xMQ-T	MPM LGA8x8x2.0	N/A	N/A	250	N/A	N/A	N/A	N/A
MPM####xLA-T	MPM LGA8x14x4.4	N/A	N/A	135	N/A	N/A	N/A	N/A
MPM####xLD-T	MPM LGA10x10x3.82	N/A	N/A	168	N/A	N/A	N/A	N/A
MPM####xLD-T	MPM LGA10x10x4.2	N/A	N/A	160	N/A	N/A	N/A	N/A
MPM####xLD-T	MPM LGA10x10x4.4	N/A	N/A	160	N/A	N/A	N/A	N/A
MPM####xLB-T	MPM LGA12x12x4.2	N/A	N/A	168	N/A	N/A	N/A	N/A
MP####xLHT-Z	LGA 1.5x2.5x0.775	5000	N/A	N/A	13 in.	12 mm	8 mm	125&125
MP####xLM-Z	LGA 2x2x0.9	5000	N/A	N/A	13 in.	12 mm	8 mm	125&125
MP####xLP-Z	LGA 2x2.5x0.9	5000	N/A	N/A	13 in.	12 mm	8 mm	125&125
MP####xLN-Z	LGA 2x3x0.9	5000	N/A	N/A	13 in.	12 mm	8 mm	125&125
MP####xLP-Z	LGA 2.5x2x0.9	5000	N/A	N/A	13 in.	12 mm	8 mm	125&125
MP####xLQ-Z	LGA 3x3x0.9	5000	N/A	N/A	13 in.	12 mm	8 mm	125&125
MP####xLCT-Z	LGA 3x3.5x0.775	5000	N/A	N/A	13 in.	12 mm	8 mm	125&125
MP####xLC-Z	LGA 3x3.5x1.145	2500	N/A	N/A	13 in.	12 mm	8 mm	125&125
MP####xLK-Z	LGA 3x4x0.9	5000	N/A	N/A	13 in.	12 mm	8 mm	125&125
MP####xLJ-Z	LGA 3x6x0.9	5000	N/A	N/A	13 in.	12 mm	8 mm	125&125
MP####xLRT-Z	LGA 4x4x0.775	5000	N/A	N/A	13 in.	12 mm	8 mm	125&125
MP####xLR-Z	LGA 4x4x0.9	5000	N/A	N/A	13 in.	12 mm	8 mm	125&125
MP####xLV-Z	LGA 4x5x0.9	5000	N/A	N/A	13 in.	12 mm	8 mm	125&125
MP####xLV-Z	LGA 4x5x1.18	2500	N/A	N/A	13 in.	12 mm	8 mm	125&125
MP####xMWT-Z	LGA 4x6x0.775	5000	N/A	N/A	13 in.	12 mm	8 mm	125&125
MP####xMW-Z	LGA 4x6x0.9	5000	N/A	N/A	13 in.	12 mm	8 mm	125&125
MP####xLUT-Z	LGA 5x5x0.775	5000	N/A	N/A	13 in.	12 mm	8 mm	125&125
MP####xLU-Z	LGA 5x5x0.9	5000	N/A	N/A	13 in.	12 mm	8 mm	125&125
MP####xMJT-Z	LGA 5x6x0.775	5000	N/A	N/A	13 in.	12 mm	8 mm	125&125
MP####xMJ-Z	LGA 5x6x0.9	5000	N/A	N/A	13 in.	12 mm	8 mm	125&125
MP####xMAT-Z	LGA 5x7x0.775	5000	N/A	N/A	13 in.	16 mm	8 mm	125&125
MP####xMA-Z	LGA 5x7x0.9	5000	N/A	N/A	13 in.	16 mm	8 mm	125&125
MP####xMJ-Z	LGA 6x5x0.9	5000	N/A	N/A	13 in.	12 mm	8 mm	125&125
MP####xMKT-Z	LGA 6x6x0.775	5000	N/A	N/A	13 in.	12 mm	8 mm	125&125
MP####xMK-Z	LGA 6x6x0.9	5000	N/A	N/A	13 in.	12 mm	8 mm	125&125
MP####xMMT-Z	LGA 6x7x0.775	5000	N/A	N/A	13 in.	16 mm	8 mm	125&125
MP####xQNT-Z	LGA 7x7x0.775	2500	N/A	N/A	13 in.	16 mm	12 mm	125&125
MP####xQN-Z	LGA 7x7x0.9	2500	N/A	N/A	13 in.	16 mm	12 mm	125&125
MP####xMPT-T	LGA 8x7x0.775	N/A	N/A	260	N/A	N/A	N/A	N/A
MPM####xPH-Z	ECLGA 1.5x2x0.96	5000	N/A	N/A	13 in.	8 mm	4 mm	125&125
MPM####xPE-Z	ECLGA 2x2.2x1.21	2500	N/A	N/A	13 in.	12 mm	8 mm	125&125
MPM####xPA-Z	ECLGA 2.5x2.5x1.2	2500	N/A	N/A	13 in.	12 mm	8 mm	125&125

DO NOT COPY WITHOUT WRITTEN PERMISSION FROM MONOLITHIC POWER SYSTEMS



SPEC NO: MF-PO-S-0001

REV: 42.0

PAGE 7 OF 12

TITLE: PACKAGE SPECIFICATION  
包装规范

Part Number 产品号	Package Description 封装	Quantity /Reel 数量/卷盘	Quantity/Tube 数量/胶管	Quantity/Tray 数量/托盘	Reel Diameter 卷盘直径	Carrier Tape Width 载带宽度	Carrier Tape Pitch 载带线距	Trailer Leader/Reel 前后空带数/ 卷盘
MPM####xPQ-Z	ECLGA 3x3x1.45	2500	N/A	N/A	13 in.	12 mm	8 mm	125&125
MPM####xPQ-Z	ECLGA 3x3x1.85	2500	N/A	N/A	13 in.	12 mm	8 mm	125&125
MPM####xPQ-Z	ECLGA 3x3x1.86	2500	N/A	N/A	13 in.	12 mm	8 mm	125&125
MPM####xPQ-Z	ECLGA 3x3x2.0	2500	N/A	N/A	13 in.	12 mm	8 mm	125&125
MPM####xPU-T	ECLGA 5x5x2.76	N/A	N/A	490	N/A	N/A	N/A	N/A
MPM####xPB-Z	ECLGA 5x5.5x1.85	2500	N/A	N/A	13 in.	12 mm	8 mm	125&125
MPM####xPB-T	ECLGA 5x5.5x1.85	N/A	N/A	490	N/A	N/A	N/A	N/A
MPM####xPJ-T	ECLGA 5x6x2.9	N/A	N/A	490	N/A	N/A	N/A	N/A
MPM####xPJ-T	ECLGA 5x6x4.4	N/A	N/A	360	N/A	N/A	N/A	N/A
MPM####xPC-Z	ECLGA 5x6.5x2.76	2000	N/A	N/A	13 in.	16 mm	8 mm	125&125
MPM####xPC-T	ECLGA 5x6.5x2.76	N/A	N/A	392	N/A	N/A	N/A	N/A
MPM####xCQ-Z	ECLGA 8x8x2.9	1000	N/A	N/A	13 in.	16 mm	12 mm	125&125
MPM####xCQ-T	ECLGA 8x8x2.9	N/A	N/A	260	N/A	N/A	N/A	N/A

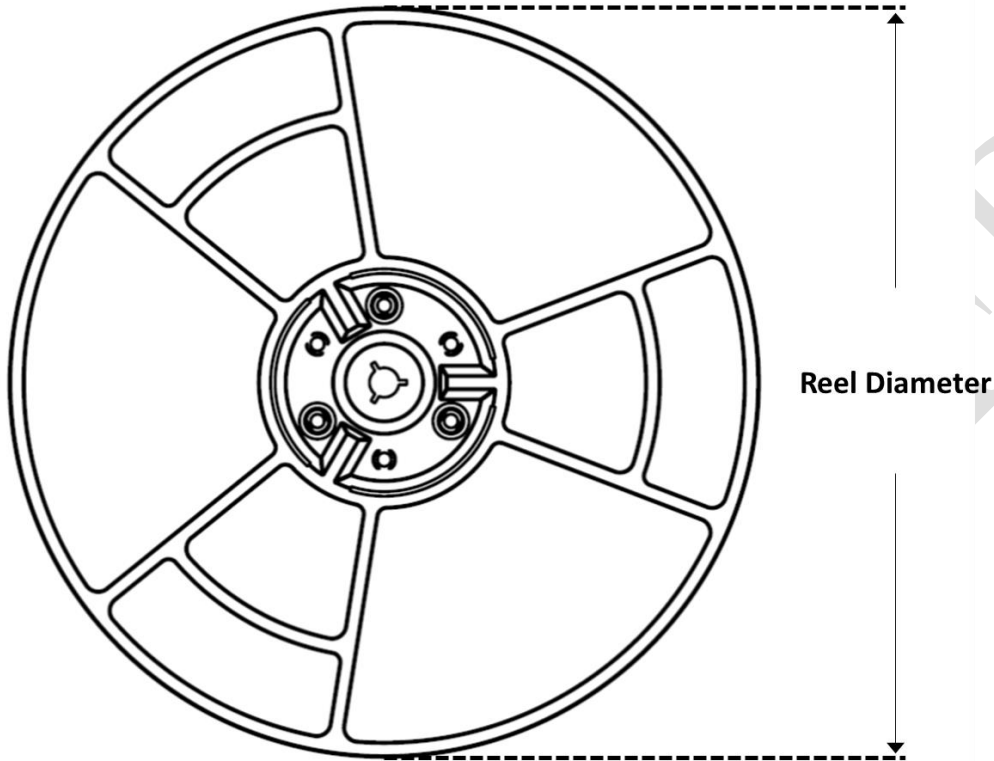
➤ N/A indicates “not available” for the packing method. For 500-piece tape & reel prototype quantities, see factory specification. (Order code for 500-piece partial reel is “-P”, tape & reel dimensions same as full reel.)

N/A 表示该产品不适用该包装方式出货。对于每卷 500 个的编带&卷盘，参见工厂规范。（针对 500 每卷的订单编号.应带后缀-P，外观尺寸与整卷出货一致）

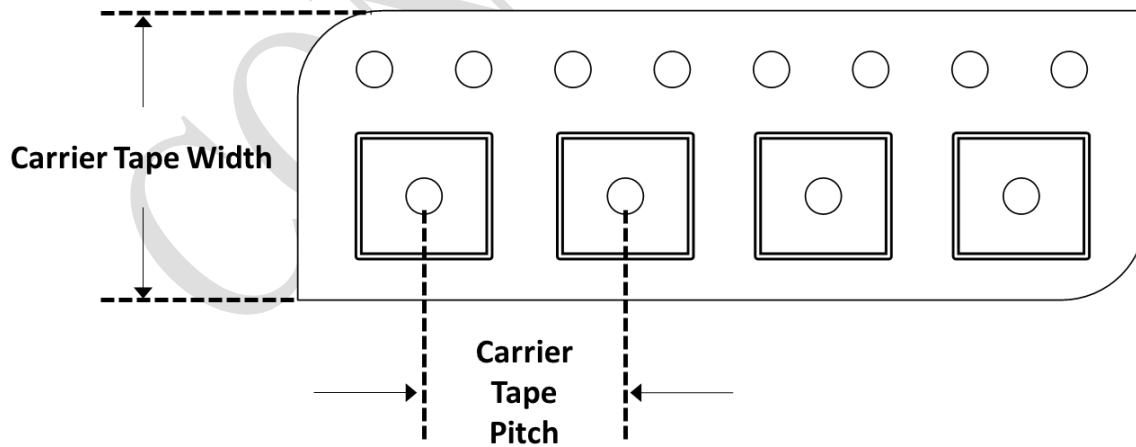
➤ If any package doesn’t follow the above specification, it needs to get EM manager approval before process. 任何不符合以上标准的包装，需要得到 EM 经理的批准后方可执行。

DO NOT COPY WITHOUT WRITTEN PERMISSION FROM MONOLITHIC POWER SYSTEMS

**Reel Diagram**



**Carrier Tape Diagram**

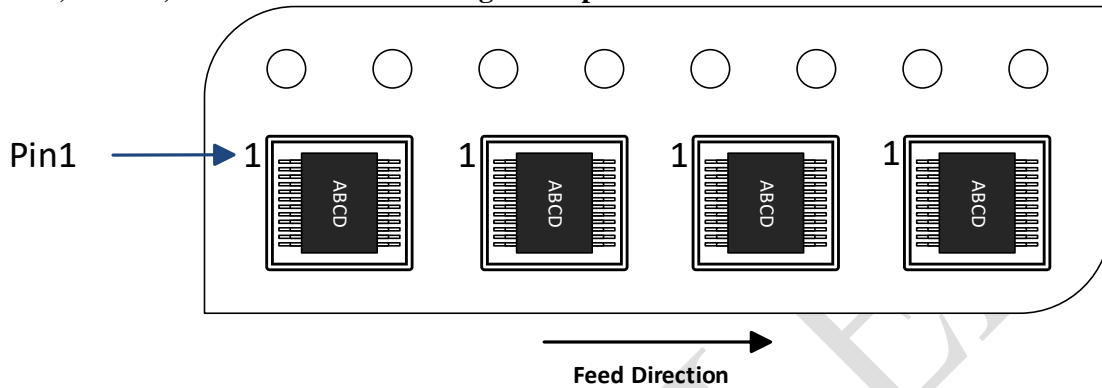


**DO NOT COPY WITHOUT WRITTEN PERMISSION FROM MONOLITHIC POWER SYSTEMS**

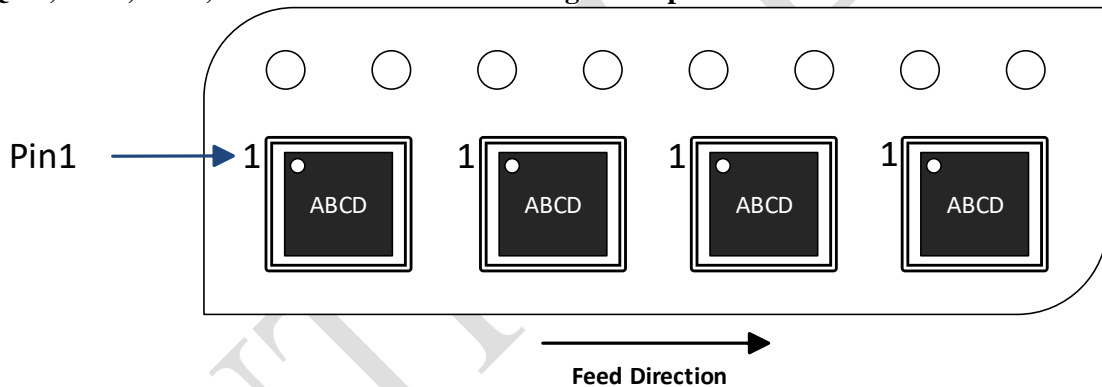


**Pin 1 Orientation by Package Type**

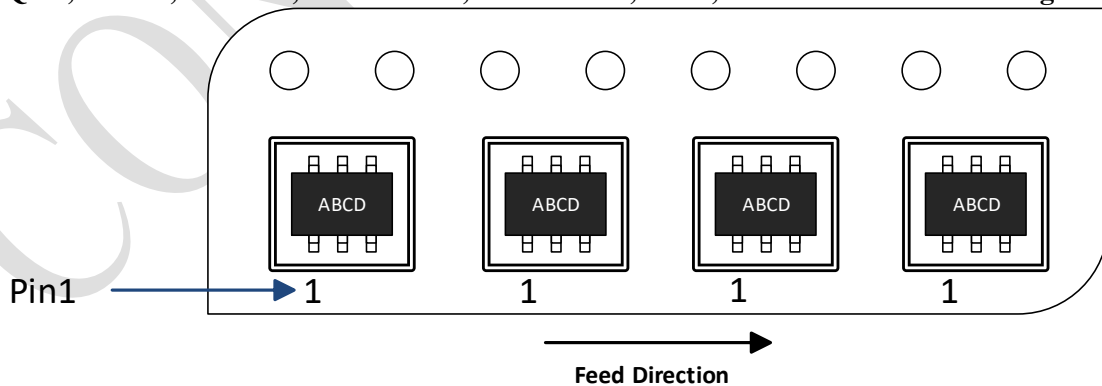
- **SOIC, TSSOP, SSOP and MSOP Packages in tape**



- **QFN, LGA, BGA, WLCSP and Module Packages in tape**

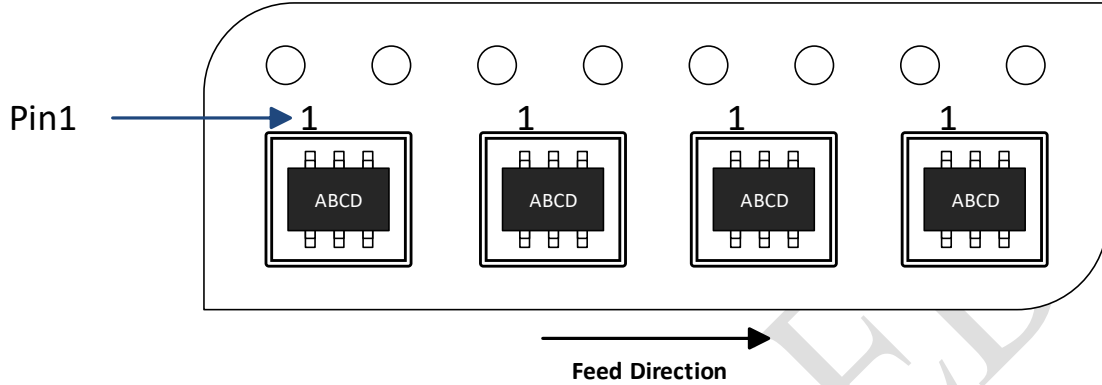


- **PQFN, SOT23, TSOT23, TSOT23-LL, TSOT23-SL, SC70, SOT563&SOT583 Packages in tape**

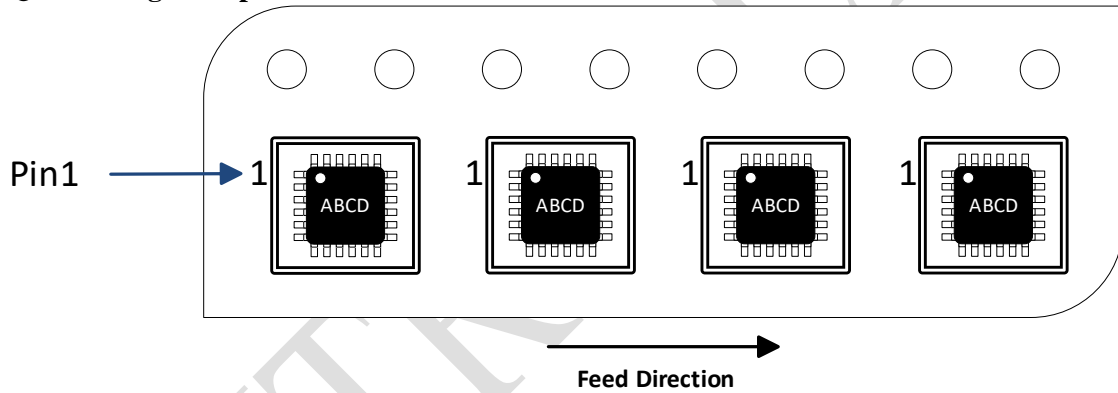


**DO NOT COPY WITHOUT WRITTEN PERMISSION FROM MONOLITHIC POWER SYSTEMS**

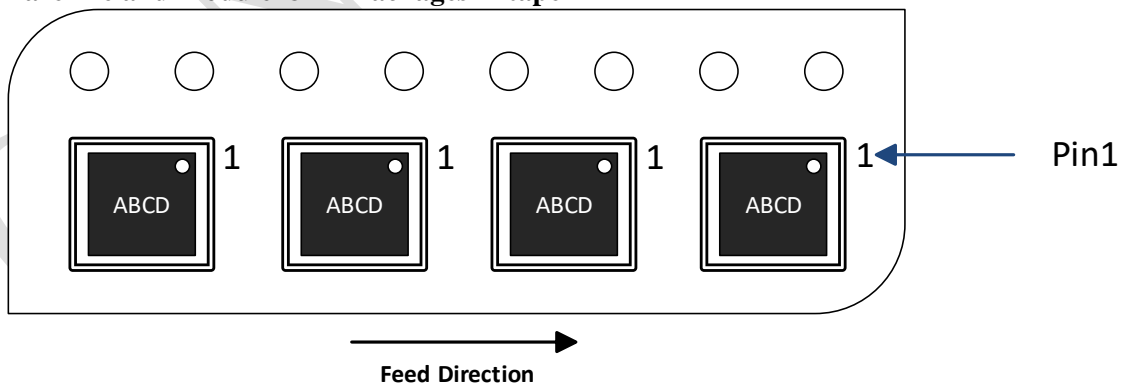
- **TSOT23-RL and SOD123 Package in tape**



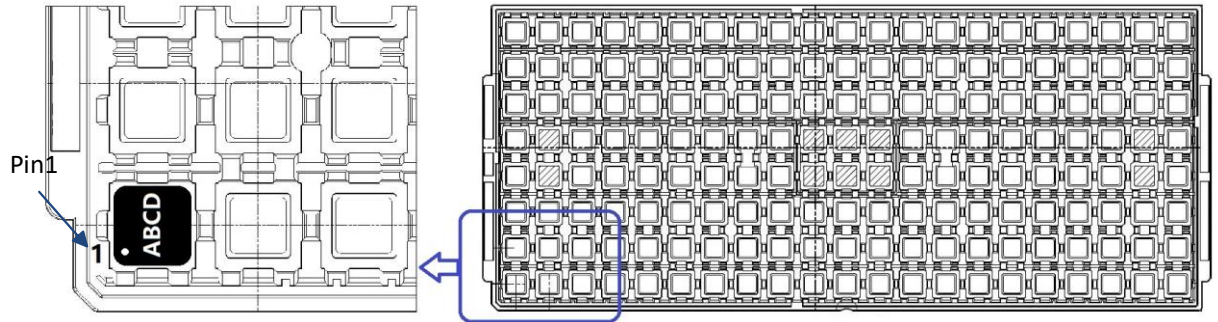
- **TQFP Package in tape**



- **Bare Die and Module18x27 Packages in tape**



- All packages in Tray



CONTROLLED

DO NOT COPY WITHOUT WRITTEN PERMISSION FROM MONOLITHIC POWER SYSTEMS



SPEC NO: MF-PO-S-0001

REV: 42.0

PAGE 12 OF 12

TITLE: PACKAGE SPECIFICATION  
包装规范

#### 4. Partial Reels 非完整卷盘

4.1. MPS may offer partial reel with only 500 units in the reel.

MPS 会提供只含 500 颗产品的非完整卷盘。

4.2. The reel size of partial reel will be the same as standard Tape and Reel, as exhibited on the table in section 3.0. However, the reel size of partial reel of QFN packages shipped out from MPS/USA might be 7”.

非完整卷盘的尺寸与 3.0 表中的标准的 T&R 一样，然而，从 MPS/USA 出货的 QFN 封装的非完整卷盘的尺寸可能是 7”。

CONTROLLED

DO NOT COPY WITHOUT WRITTEN PERMISSION FROM MONOLITHIC POWER SYSTEMS