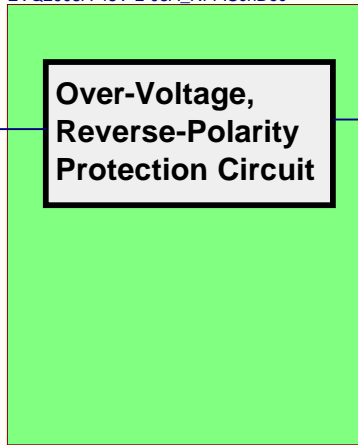
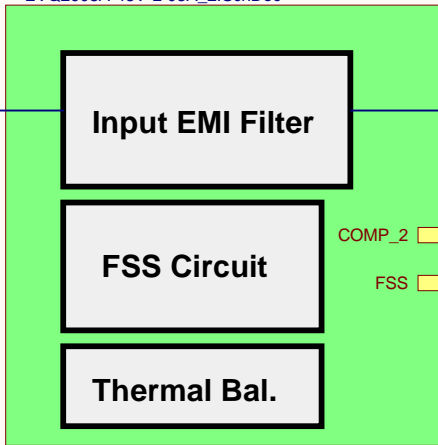


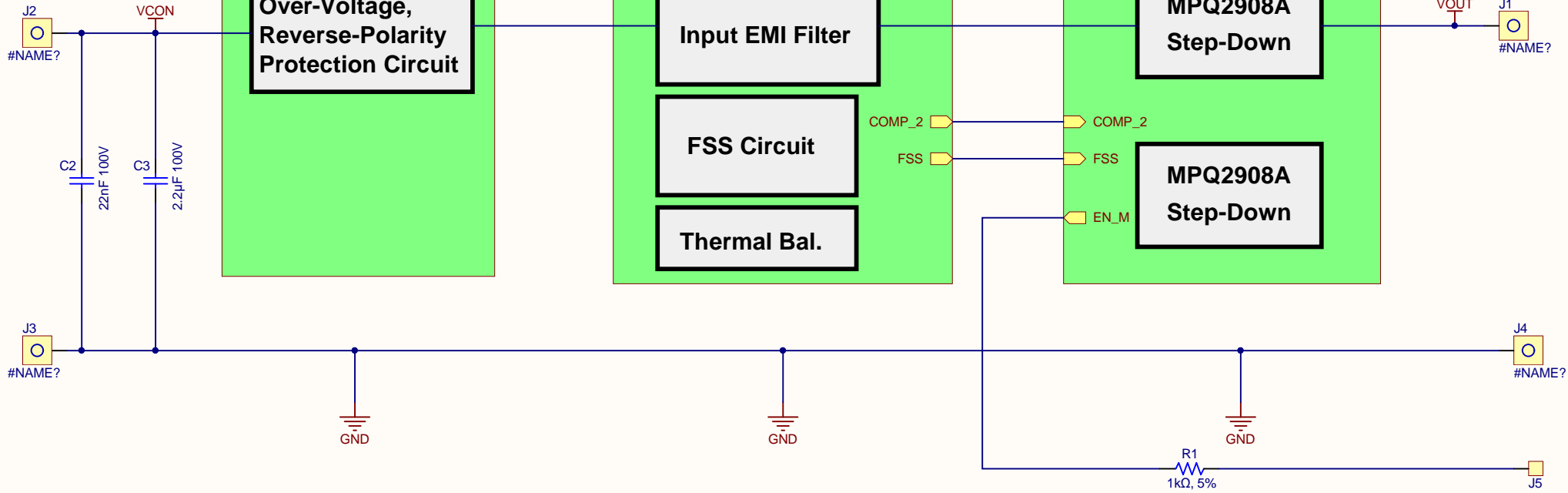
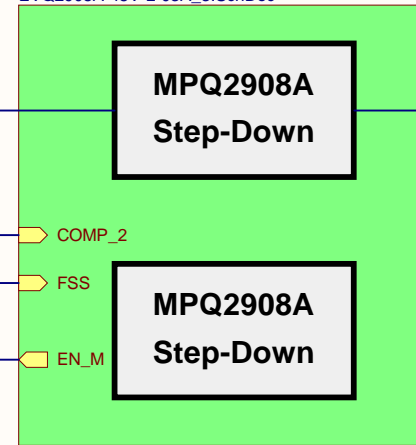
Sheet 1
EVQ2908A-48V-L-03A_RPP.SchDoc



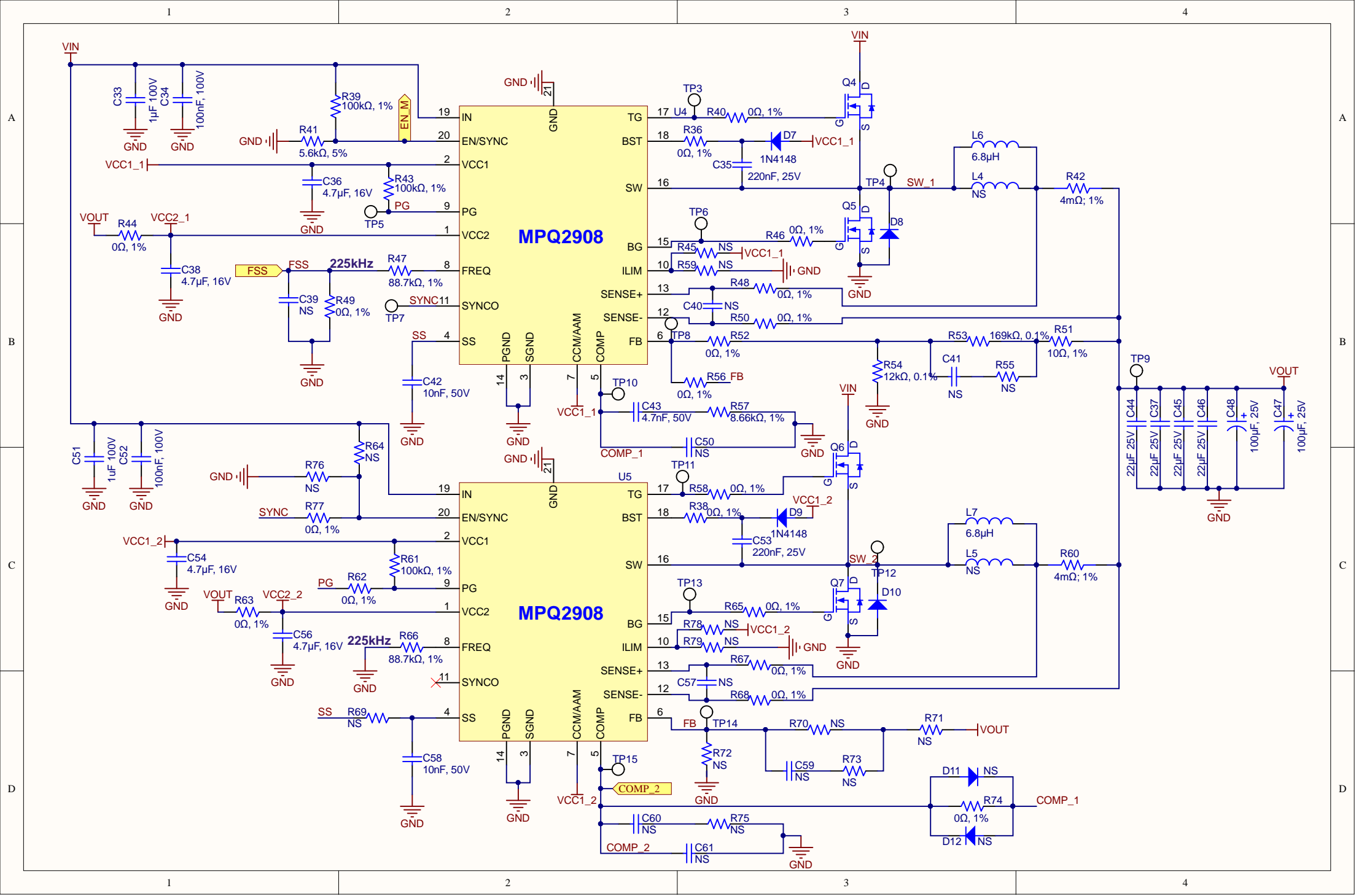
Sheet 2
EVQ2908A-48V-L-03A_2.SchDoc

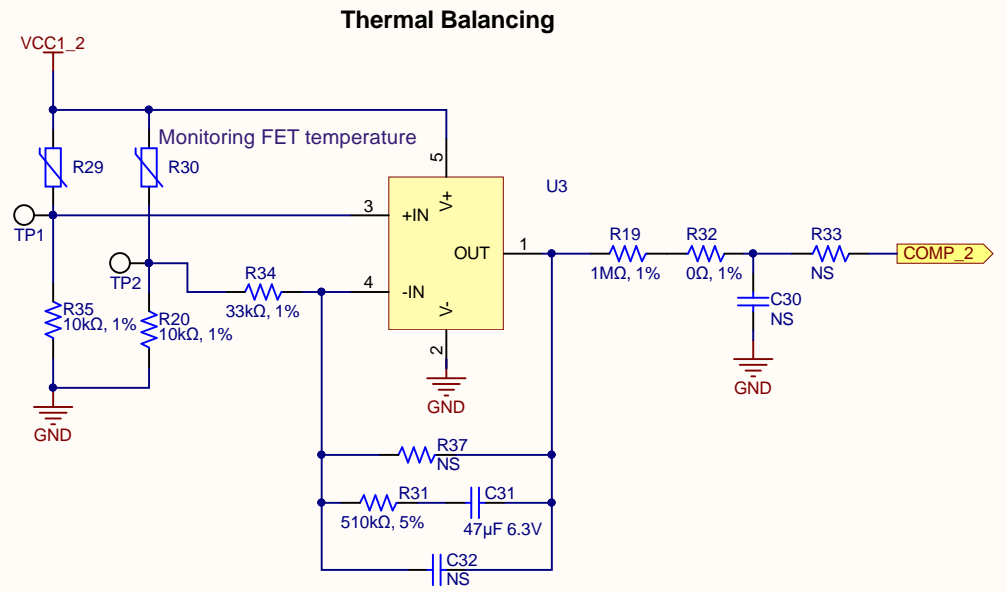
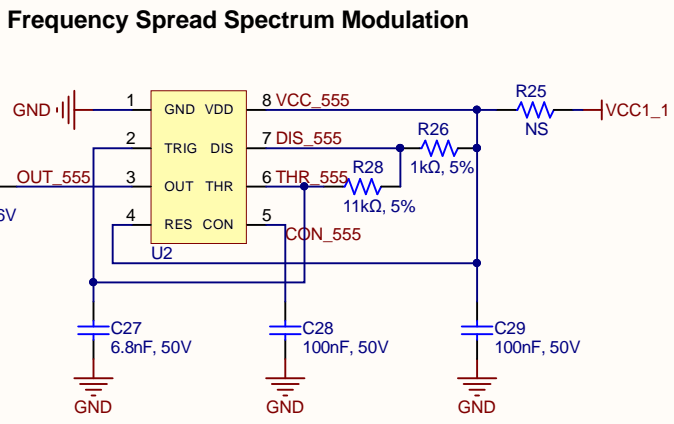
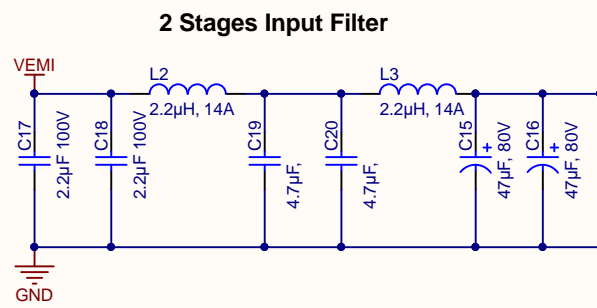
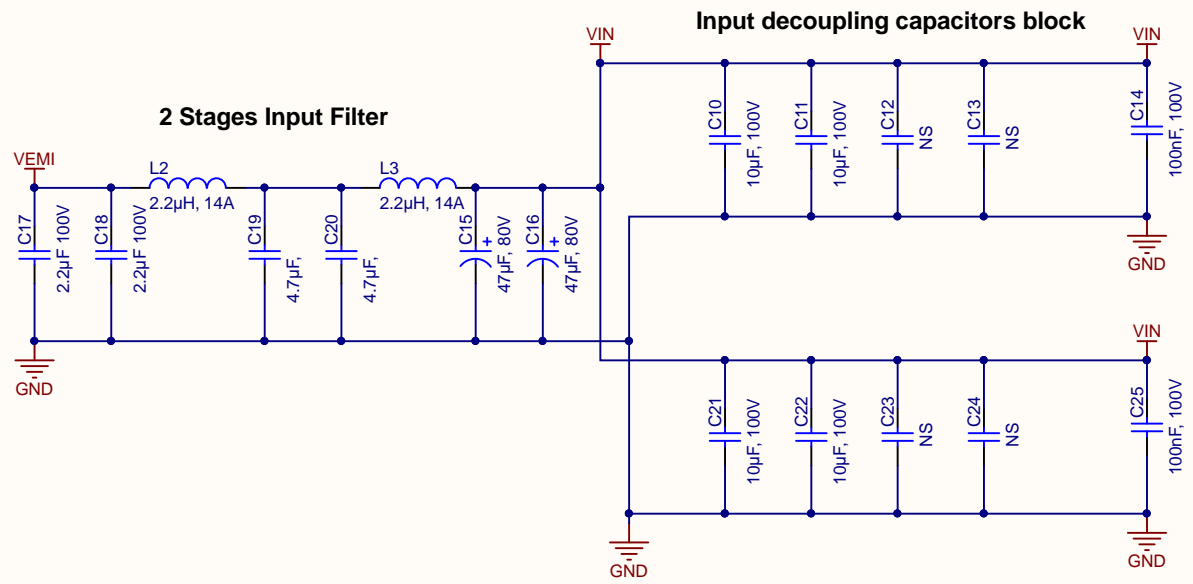


Sheet 3
EVQ2908A-48V-L-03A_3.SchDoc



TEMPLATE





Over-Voltage and Reverse-Polarity Protection Circuit

