

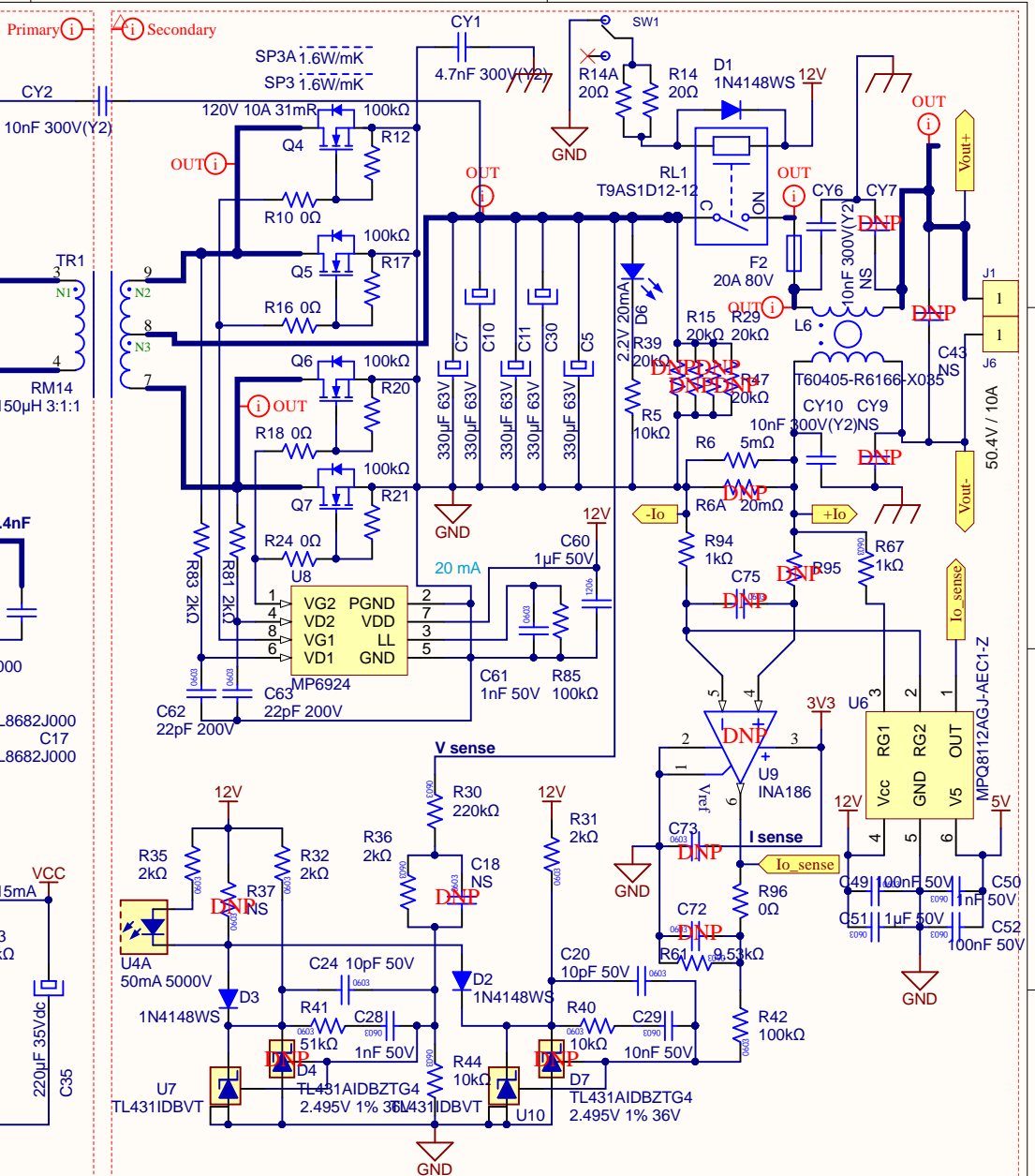
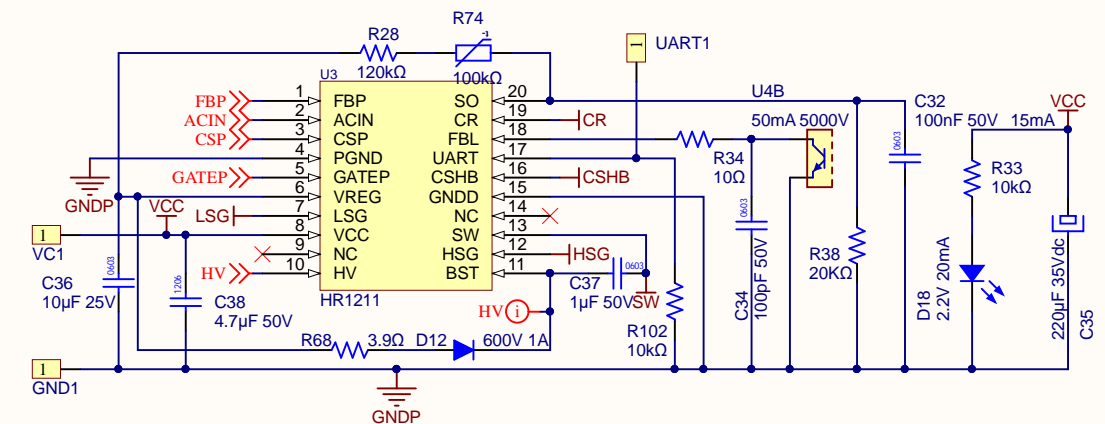
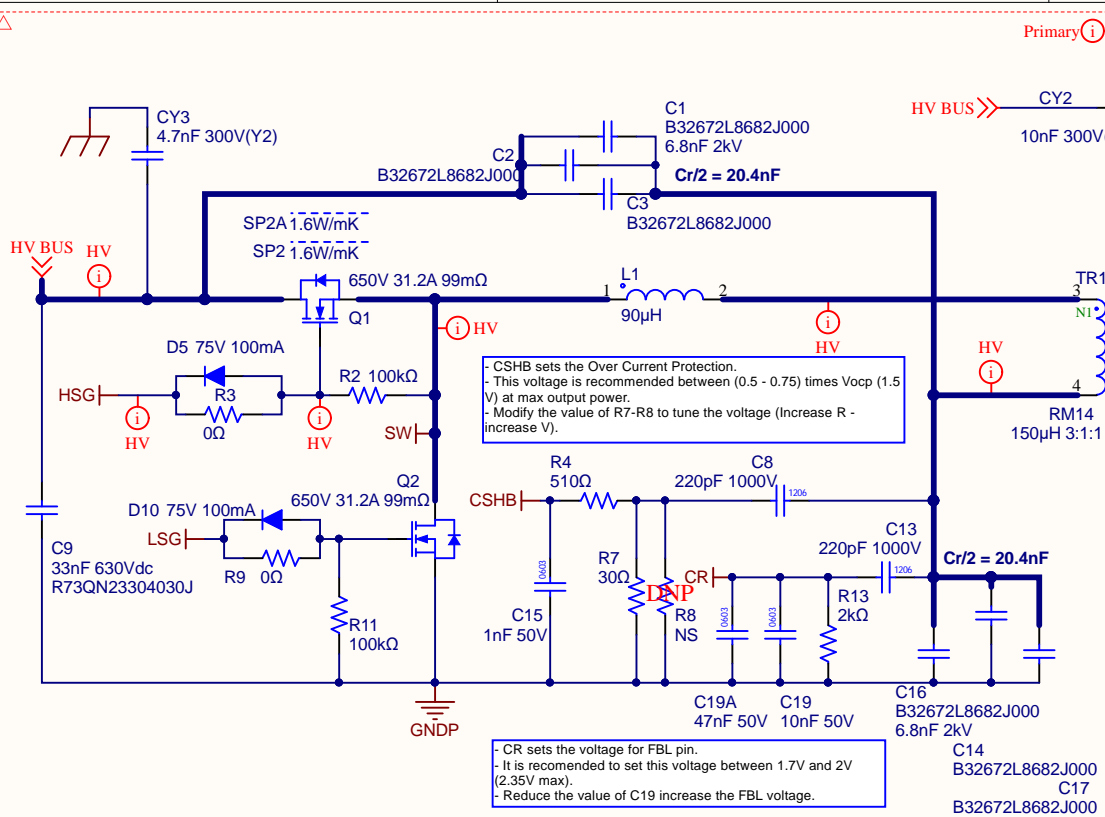
REV.	DESCRIPTION	DATE	AUTHOR
v1.0	Initial version of the board	Set, 2018	Oriol Cos
v1.1	Changes in this version: 1.- Remove MCU components. 2.- Discrete CCCV feedback loop.	Feb, 2020	Oriol Cos
v1.2	Changes in this version: 1.- Modify input filter structure. 2.- Improve PFC current sense routing.	May, 2020	Oriol Cos
v1.3	Changes in this version: 1.- Modify input CX. 2.- Modify Output filter.	Jun, 2020	Oriol Cos
v1.4	Changes in this version: 1.- Modify input EMI filter. 2.- Improve PFC inductive. 3.- Input relay added. 4.- Connectors changed. 5.- Fans added. 6.- Current sensor changed. 7.- NTC added.	Jun, 2022	Rafael Collado

PAGE N°	DOCUMENT NAME
1	MAIN_005
2	PFC
3	LLC
4	FLYBACK
5	FANS AND SENSING CURRENT

Project Name: EVHR1211-Y-00B	Ref: B009	Rev: v1.4
Engineer: Oriol Cos	Drawn By: -	
File Name: A MAIN.SchDoc	Mod. Date: 05/10/2022	
Designed for: Public Reference	Sheet: 1 of 5	
Contact: www.monolithicpower.com	Monolithic Power Systems	

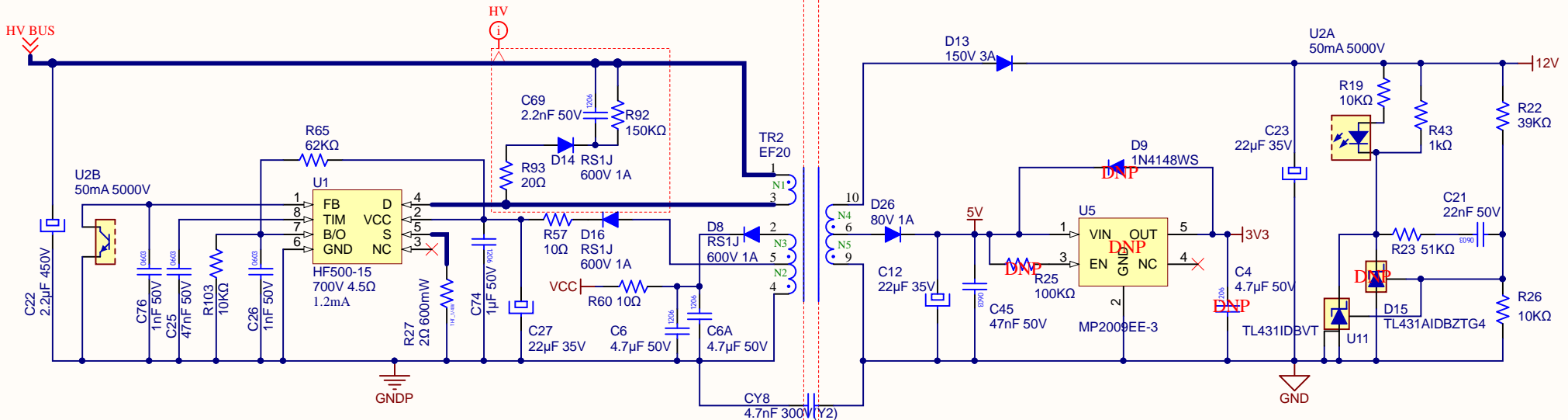


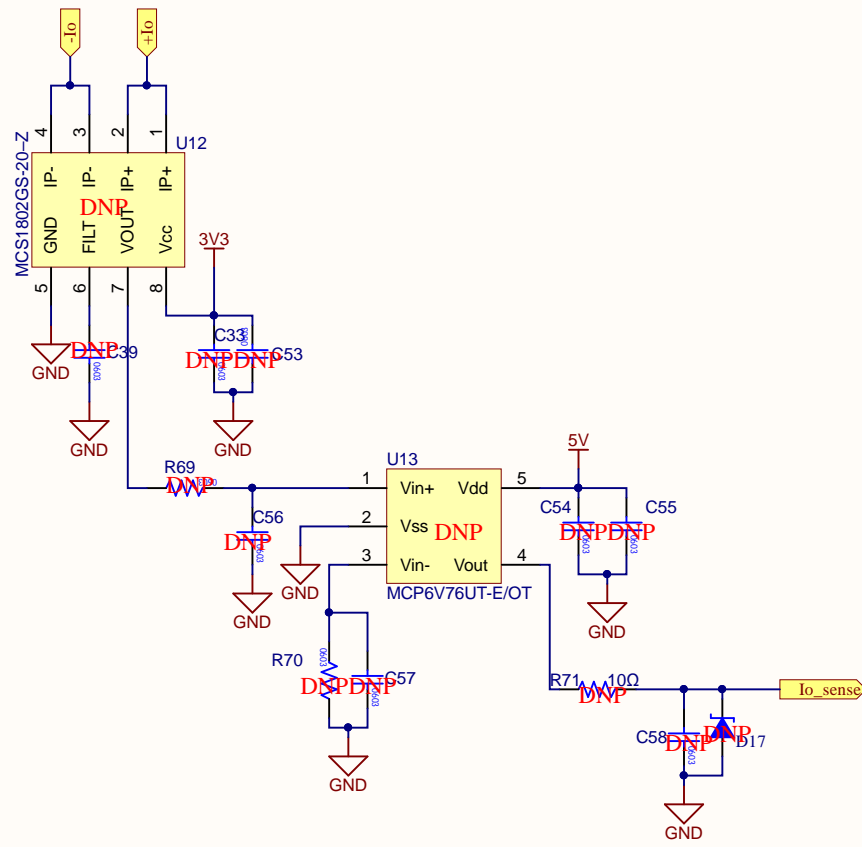




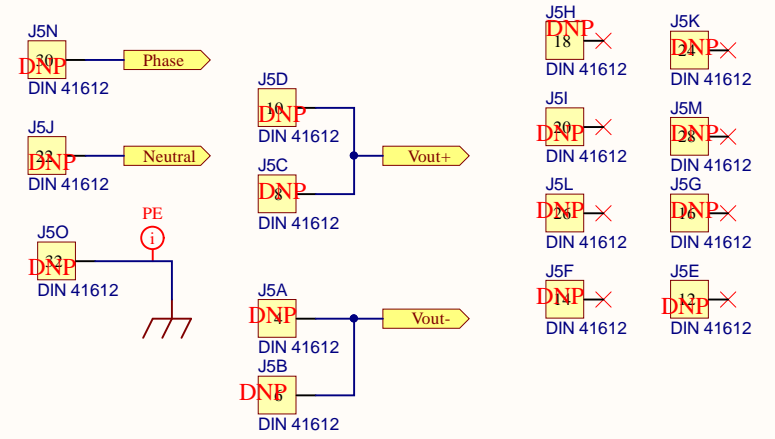
Primary

Secondary





### H15 Connector



### FAN

